

# BULLET ICE CUBE MAKER



Item: 271773  
271780

You should read this user manual carefully before using the appliance.

Bevor Sie das Gerät in Betrieb nehmen, sollten Sie diese Gebrauchsanweisung aufmerksam lesen.

Alvorens de apparatuur in gebruik te nemen dient u deze gebruiksaanwijzing aandachtig te lezen.

Przed uruchomieniem urządzenia należy koniecznie dokładnie przeczytać niniejszą instrukcję obsługi.

Lisez attentivement ce mode d'emploi avant d'utiliser l'appareil .

Prima di utilizzare l'apparecchio in funzione leggere attentamente le istruzioni per l'uso.

Citiți cu atenție prezentul manual de utilizare înainte de folosirea aparatului.

Внимательно прочитайте руководство пользователя перед использованием прибора.

Πρέπει να διαβάσετε αυτές τις οδηγίες χρήσης προσεκτικά πριν χρησιμοποιήσετε τη συσκευή.



Keep these instructions with the appliance.  
Diese Gebrauchsanweisung bitte beim Gerät aufbewahren.  
Bewaar deze handleiding bij het apparaat.  
Zachowaj instrukcję urządzenia  
Gardez ces instructions avec cet appareil.  
Conservate le istruzioni insieme all'apparecchio.  
Păstrați manualul de utilizare alături de aparat.  
Хранить руководство вместе с устройством.  
Φυλάξτε αυτές τις οδηγίες μαζί με τη συσκευή.



For indoor use only.  
Nur zur Verwendung im Innenbereich.  
Alleen voor gebruik binnenshuis.  
Do użytku wewnątrz pomieszczeń.  
Pour l'usage à l'intérieur seulement.  
Destinato solo all'uso domestico.  
Doar pentru uz la interior.  
Использовать только в помещениях.  
Για χρήση μόνο σε εσωτερικό χώρο.



Dear Customer,

Thank you for purchasing this Arctic appliance. Before using the appliance for the first time, please read this manual carefully, paying particular attention to the safety regulations outlined below.

---

## Safety regulations

- This appliance is intended to be used in household and similar applications such as
  - 1) Staff kitchen areas in shops, offices and other working environments;
  - 2) Farm houses and by clients in hotels, motels and other residential type environment;
  - 3) Bed and breakfast type environments;
  - 4) Catering and similar non-retail applications.
- The appliance must only be used for the purpose for which it was intended and designed. The manufacturer is not liable for any damage caused by incorrect operation and improper use.
- Keep the appliance and electrical plug away from water and any other liquids. In the event that the appliance should fall into water, immediately remove plug from the socket and do not use until the appliance has been checked by a certified technician. Failure to follow these instructions could cause a risk to lives.
- Never attempt to open the casing of the appliance yourself.
- Do not insert any objects in the casing of the appliance.
- Do not touch the plug with wet or damp hands.
- **Danger of electric shock!** Do not attempt to repair the appliance yourself. In case of malfunctions, repairs are to be conducted by qualified personnel only.
- **Never use a damaged appliance!** Disconnect the appliance from the electrical outlet and contact the retailer if it is damaged.
- **Warning!** Do not immerse the electrical parts of the appliance in water or other liquids. Never hold the appliance under running water.
- Regularly check the power plug and cord for any damage. If the power plug or power cord is damaged, it must be replaced by a service agent or similarly qualified persons in order to avoid danger or injury.
- Make sure the cord does not come in contact with sharp or hot objects and keep it away from open fire. To pull the plug out of the socket, always pull on the plug and not on the cord.
- Ensure that the cord (or extension cord) is positioned so that it will not cause a trip hazard.
- Always keep an eye on the appliance when in use.
- **Warning!** As long as the plug is in the socket the appliance is connected to the power source.
- Turn off the appliance before pulling the plug out of the socket.
- Never carry the appliance by the cord.
- Do not use any extra devices that are not supplied along with the appliance.
- Only connect the appliance to an electrical outlet with the voltage and frequency mentioned on the appliance label.

EN

- Connect the power plug to an easily accessible electrical outlet so that in case of emergency the appliance can be unplugged immediately. To completely switch off the appliance pull the power plug out of the electrical outlet.
- Always turn the appliance off before disconnecting the plug.
- Never use accessories other than those recommended by the manufacturer. Failure to do so could pose a safety risk to the user and could damage the appliance. Only use original parts and accessories.
- This appliance is not intended for use by persons (including children) with reduced physical, sensory or mental capabilities, or lack of experience and knowledge.
- This appliance must not be used by children under any circumstances.
- Keep the appliance and its cord out of reach of children.
- Always disconnect the appliance from the mains if it is left unattended or is not in use, and before assembly, disassembly or cleaning.
- Never leave the appliance unattended during use.

---

## Special safety regulations

- This appliance is intended only for making ice cube. Any other use may lead to damage of the appliance or personal injury.
- Use the appliance only as described in this manual.



**Caution! Risk of fire!** The refrigerant used is R290. It is a flammable refrigerant which is environmentally friendly. Although it is flammable, it does not damage the ozone layer and does not increase the greenhouse effect. The use of this coolant has, however, led to a slight increase in the noise level of the appliance. In addition to the noise of the compressor, you might be able to hear the coolant flowing around the system. This is unavoidable, and does not have any adverse effect on the performance of the appliance. Care must be taken during the transportation and setting up of the appliance that no parts of the cooling system are damaged. Leaking coolant can damage the eyes.

- Do not place the appliance on a heating object (gasoline, electric, charcoal cooker, etc). Keep the appliance away from any hot surfaces and open flames. Always operate and place the appliance on a level, stable, clean, heat-resistant and dry surface.
- This appliance is not intended to be operated by means of an external timer or separate remote-control system.
- **WARNING:** Keep all ventilation openings in the appliance enclosure clear of obstruction.
- **WARNING:** Do not use mechanical devices or other means to accelerate the defrosting process, other than those recommended by the manufacturer.
- **WARNING:** Do not damage the refrigerant circuit.
- **WARNING:** Connect to portable water supply only.
- Do not store explosive substances such as aerosol cans with a flammable propellant in this appliance.
- Allow at least 15 cm spacing around the appliance for ventilation purpose during use.
- Do not use hard utensils to hit the outer surface. Do not use water jet, flush directly with

water or steam cleaner as the parts will get wet and electric shock might be resulted.

- Do not expose it to direct sunlight. Avoid mechanical shocks and vibrations.
- Always move or transport the appliance in an upright position or it may damage the appliance.
- Caution! Securely route the power cord if necessary in order to prevent unintentional pulling or contact with the heating surface.
- Do not clean or store the appliance unless it is completely cooled down.
- No any parts are dishwasher safe.

---

### Intended use

- This appliance is intended for household use and similar applications.
- The appliance is designed only for making ice cubes. Any other use may lead to damage to the appliance or personal injury.
- Operating the appliance for any other purpose shall be deemed as misuse of the device. The user shall be solely liable for the improper use of the device.

---

### Grounding installation

This appliance is classified as protection class I appliance and must be connected to a protective ground. Grounding reduces the risk of electric shock by providing an escape wire for the electric

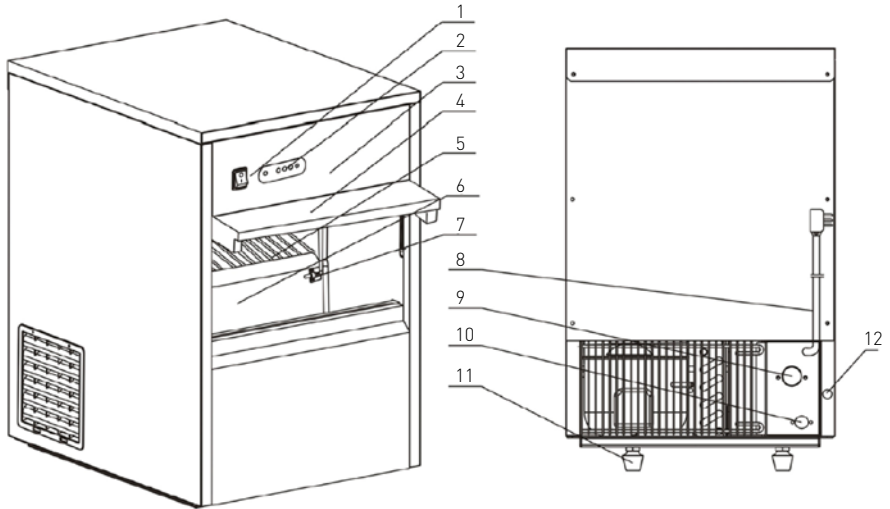
current. This appliance is equipped with a cord having a grounding wire with a grounding plug. The plug must be plugged into an outlet that is properly installed and grounded.

---

### Preparations before using for the first time

- Check to make sure the appliance is undamaged. In case of any damage, contact your supplier immediately and do NOT use the appliance.
- Remove all the packing material and protective film (if applicable).
- Clean the appliance with luke-warm water and a soft cloth.
- Place the appliance on a level and steady surface, unless mentioned otherwise.
- Make sure there is enough clearance around the appliance for ventilation purposes.
- Position the appliance in such a way that the plug is accessible at all times.
- Check that the ice basket and scoop are included. If any parts are missing, contact your supplier.
- Clean the inside of the appliance with lukewarm water and a soft cloth.
- Clean the ice basket.
- Do not place the ice maker in direct sunlight or close to a heat source.
- Do not use the ice maker within 24 hours after it has been transported and moved from one place to another.

## Main parts of the appliance

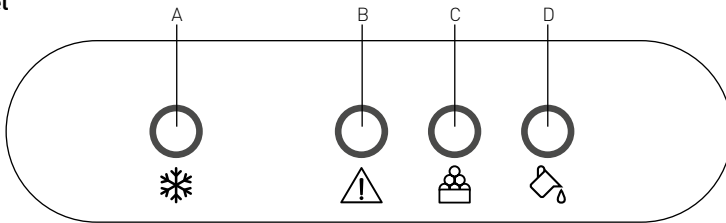


1. ON / OFF switch with built-in indicator (Green)
2. Display panel showing different function lamp
3. Front panel
4. Sliding door
5. Ice shelf
6. Ice storage container

7. Ice capacity sensor
8. Power cord
9. Water supply inlet
10. Drainage tube hole
11. Feet
12. Drainage cover

EN

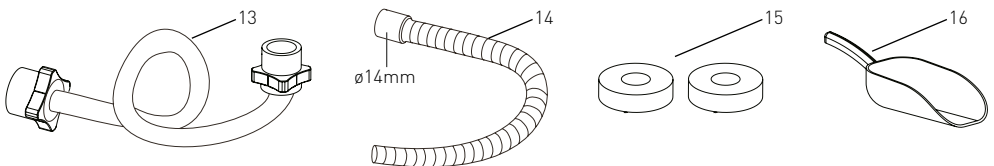
## Control panel



- A). ❄️ : Operation indicator (Green)  
 B). ⚠️ : Display of fault (Red)

- C). 🚰 : Storage tank is full (Yellow)  
 D). 💧 : Water level is too low (Yellow)

## Accessories



13. Water inlet supply hose
14. Water drainage hose

15. Spare sealing washer x2
16. Ice scoop

## Installation of the appliance

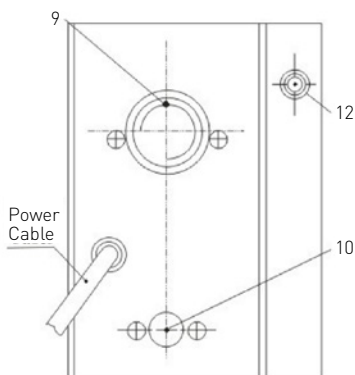
**Attention:** Any installation, maintenance and repair work should be performed by qualified and authorized technician only.

- Check to make sure that the appliance is undamaged or complete delivery. In case of any damage or incomplete delivery, DO NOT use the appliance and contact the supplier immediately.
- Check that the accessories such as water supply hose, water drainage hose, 2 spare sealing washers & ice scoop are included.
- Remove all packing material and protective film (if applicable).
- Place the appliance on a level, steady and safe surface which can supports the weight of the appliance together with the ice cubes produced during use.
- Avoid expose to direct sunlight or direct source of heat such as cooker, heat oven, etc.
- Make sure that a minimum of 15 cm distance is kept around all sides of the appliance for ventilation purposes.
- Place the appliance in such a way that the plug is easily accessible and can be quickly removed from its socket in case of necessity.
- Set up the appliance near water supply connection.

## Connection to the water supply

**Attention:** The appliance should be connected to a cold drinkable water supply only. Otherwise, a cleaning system or filter should be installed in advance.

- Connect one end of the water inlet supply hose (13) to the 3 / 4" screw type connector of the water tap supply so as to get the drinkable tap water. Then, connect the other end of this hose to the back of the appliance (9) by screwing clockwise. Be sure to put sealing washers (15) in both ends before connecting.
- Next, connect one end of the drainage hose (14) using the rubber drainage cuff to the rear of the appliance (10). Attach the other end to the sewage outlet / water container. The height of the sewage outlet / water container must be situated lower than the appliance, so that water can flow out.



**Note:** The inlet water supply pressure range: 1- 8 kg/cm<sup>2</sup>. Pressure reducer should be installed if the pressure over this range.

## Operation

- Before first use, clean the appliance interior and exterior surface with lukewarm water and a soft cloth.
  - Position the appliance in a well-ventilated place, leaving at least 150 mm gap around all sides for ventilation purposes.
  - Let the appliance stand alone for about one hour in order to settle the refrigerant. Make sure connect properly with the water supply system.
  - Then, plug in to a suitable socket.
  - Press down the ON / OFF switch (1) on the control panel in order start up.
  - Then, the appliance will use water to clean up inside and water will flow out automatically. This time, the 3 light indicators "❄️", "⚠️" and "💧" lights up & blink for about 30 seconds.
  - Also, the ON / OFF switch (1) lights up in green. The appliance starts to operate.
  - The ice cubes making process is completely automatic, it consists of several stages as below:  
Water inlet ==> ice cubes production ==> ejection of ice cubes ==> storage of ice cubes.
  - Then, push the slide door (4) and use ice scoop (16) to take out the ice.
  - When the ice storage container is full, the "🗑️" indicator will light up in yellow and the appliance will stop operation automatically.
  - Once the ice cubes have been removed, the appliance continue production of ice tubes automatically.
- **Note:** For sanitary reasons, you should dispose of the ice cubes produced in the first cycle for every use. Do not use them for beverages or cooling food.
  - If the water supply is insufficient, the "💧" indicator will light up in yellow and the appliance will stop operate automatically. Check the water supply (hose) connected to the appliance.
  - If any error or failure occur, the "⚠️" indicator will light up in red and the appliance will stop operation automatically.
  - Switch OFF the appliance by pressing down the ON / OFF switch (1) and unplug it from the electrical supply when not in use.

### Notes:

- DO NOT switch ON again the appliance immediately after shut down automatically (caused by insufficient water supply, ice cube container too full, current interruption). Wait at least 3 ~ 5 minutes in order to avoid damages to the compressor.
- Check the connectors of the water inlet and outlet hose regularly for the leakage or overflow of water that may be present.
- If the appliance is not used for a long period of time, screw off the drainage cover (12) at the rear of the appliance. Wipe dry the water tank using a dry, clean cloth.

## Cleaning & Maintenance

**Attention:** Always unplug the appliance from the electrical power outlet and let it cool down completely before cleaning or doing repair or maintenance work. And this should be performed by qualified and authorized technician only.

### Cleaning

- Clean the appliance thoroughly after each use and after long period.
- The exterior and interior surfaces can be cleaned with a damp cloth and a little detergent.
- Do not use water jet or steam cleaner for cleaning and do not immerse the machine under the water.
- Clean the condenser for every 2 ~ 3 months.
- Use soft cloth only and make sure you never use any kind of abrasive agents or pads, which could scratch the surface.
- After the cleaning procedure, you should use a soft and dry cloth to wipe dry and polish the surface.




## Maintenance

- Check the power cord for any damage from time to time to avoid electric shock. Never operate the appliance when the power cord is damaged. A damaged power cord must be immediately replaced by a qualified and authorized technician.
- Only a qualified technician and original spare parts and accessories should be used to carry out the repair and maintenance work. DO NOT attempt to repair the appliance yourself.

## Troubleshooting

If the appliance does not function properly, please check the below table for solution. If you are still unable to solve the problem, please contact the supplier/service provider.

Problems	Possible causes	Possible solution
Appliance has no function.	<ul style="list-style-type: none"> <li>• Appliance is switched OFF.</li> <li>• Not connected properly with the electrical supply.</li> </ul>	<ul style="list-style-type: none"> <li>• Switch ON the appliance.</li> <li>• Check the connection with electrical supply.</li> </ul>
Compressor does not work.	<ul style="list-style-type: none"> <li>• Water shortage from the water supply system.</li> <li>• Container is full of ice.</li> </ul>	<ul style="list-style-type: none"> <li>• Check the water supply system. If ok, restart the appliance.</li> <li>• Take out some ice.</li> </ul>
Compressor works, but no ice cube is made.	<ul style="list-style-type: none"> <li>• Refrigerant leakage</li> <li>• The refrigerating system is blocked.</li> </ul>	<ul style="list-style-type: none"> <li>• Contact the supplier.</li> </ul>
 indicator is on.	<ul style="list-style-type: none"> <li>• Water shortage from the water supply system.</li> <li>• Water valve is damaged.</li> <li>• Tap water pressure is too slow.</li> </ul>	<ul style="list-style-type: none"> <li>• Check the water supply system. If ok, restart the appliance.</li> <li>• Contact the supplier to replace the water valve.</li> <li>• Be sure the tap water pressure is at least 1kg/cm<sup>2</sup></li> </ul>

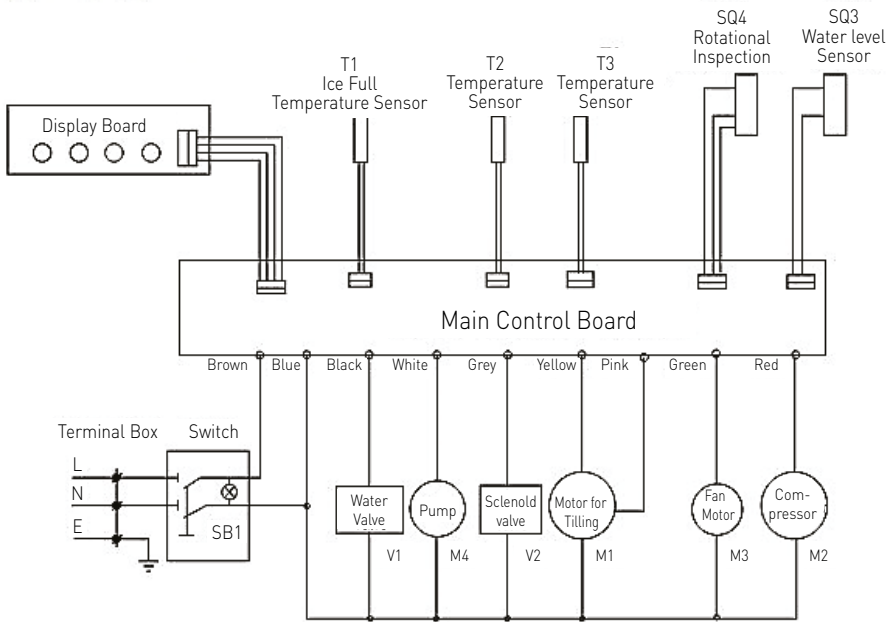
EN

## Technical specification

Item no.	271773	271780
Operating voltage & frequency	220-240V~ 50/60Hz	
Rated input power	241W	293W
Rated current	1,65A	1,85A
Refrigerant used and quantity	R290 / 65g	R290 / 85g
Climate class	N (16°C to 32°C)	
Protection class	Class I	
Noise level	< 60 dB (A)	
Ice making capacity	26 kg / 24 hr	50 kg / 24 hr
Ice tank storage	7 kg	
Net weight	31 kg	33 kg
Dimension	398 x 546 x (H) 682 mm	

**Remark: Technical specification is subjected to change without prior notification.**

## Circuit diagram (Item 271773, 271780)



EN

### Warranty

Any defect affecting the functionality of the appliance which becomes apparent within one year after purchase will be repaired by free repair or replacement provided the appliance has been used and maintained in accordance with the instructions and has not been abused or misused in any way. Your statutory rights are not affected. If the appliance is claimed under warranty, state where and

when it was purchased and include proof of purchase (e.g. receipt).

In line with our policy of continuous product development we reserve the right to change the product, packaging and documentation specifications without notice.

### Discarding & Environment

When decommissioning the appliance, the product must not be disposed of with other household waste. Instead, it is your responsibility to dispose of your waste equipment by handing it over to a designated collection point. Failure to follow this rule may be penalized in accordance with applicable regulations on waste disposal. The separate collection and recycling of your waste equipment at the time of disposal will help conserve natural re-

sources and ensure that it is recycled in a manner that protects human health and the environment. For more information about where you can drop off your waste for recycling, please contact your local waste collection company. The manufacturers and importers do not take responsibility for recycling, treatment and ecological disposal, either directly or through a public system.

Sehr geehrte Kundin, sehr geehrter Kunde,

wir danken Ihnen für den Kauf des Gerätes Arctic. Machen Sie sich bitte mit dieser Anleitung noch vor der Inbetriebnahme des Gerätes vertraut, um Schäden durch die unsachgemäße Bedienung zu vermeiden. Den Sicherheitsregeln ist besondere Aufmerksamkeit zu widmen.

---

## Sicherheitsregeln

- Das Gerät darf in den Haushalten sowie in den folgenden Bereichen verwendet werden:
  - 1) Küchen für die Mitarbeiter in Läden, Büros und anderen Arbeitsplätzen;
  - 2) Haushalte und Küchen für die Gäste in Hotels, Motels und in anderen Wohnungsbereichen;
  - 3) B&B-Hotels;
  - 4) Einrichtungen, die Cateringdienstleistungen anbieten, und ähnliche Einrichtungen, die im Nicht-Einzelhandel tätig sind.
- Das vorliegende Gerät ist ausschließlich für den gewerblichen Gebrauch bestimmt und darf nicht im Haushalt verwendet werden.
- Das Gerät ist ausschließlich zu dem Zweck zu benutzen, zu dem es hergestellt wurde. Der Hersteller haftet nicht für Schäden, die auf unsachgemäße Bedienung des Geräts zurückzuführen sind.
- Den Kontakt des Gerätes und des Steckers mit Wasser oder einer anderen Flüssigkeit vermeiden. Den Stecker unverzüglich aus dem Stecker ziehen und das Gerät von einem anerkannten Fachmann prüfen lassen, wenn das Gerät unbeabsichtigt ins Wasser fällt. Bei Nichteinhaltung dieser Sicherheitsvorschriften besteht Lebensgefahr.
- Nie eigenständig das Gehäuse des Gerätes zu öffnen versuchen.
- In das Gehäuse des Gerätes keine Gegenstände einführen.
- Den Stecker nicht mit nassen oder feuchten Händen berühren.
- **Gefahr eines Stromschlags!** Das Gerät darf nicht selbstständig repariert werden. Sämtliche Mängel und Unzulänglichkeiten sind ausschließlich durch qualifiziertes Personal zu beseitigen.
- **Niemals ein beschädigtes Gerät benutzen!** Das beschädigte Gerät vom Netz trennen und sich mit dem Verkäufer in Verbindung setzen.
- **Warnung:** Die Elektroteile des Gerätes dürfen weder in Wasser noch in andere Flüssigkeiten getaucht werden. Ebenso ist das Gerät nicht unter fließendes Wasser zu halten.
- Der Stecker und die Stromversorgungsleitung sind regelmäßig auf Beschädigungen zu prüfen. Der beschädigte Stecker oder Leitung sind an eine Servicestelle oder einer anderen qualifizierten Person zur Reparatur zu übergeben, um eventuellen Gefahren und Verletzungen des Körpers vorzubeugen.
- Man muss sich davon überzeugen, ob die Stromversorgungsleitung weder mit scharfkantigen noch mit heißen Gegenständen in Berührung kommt; halten Sie die Leitung weit entfernt von einer offenen Flamme. Um den Stecker aus der Netzsteckdose zu nehmen, muss man immer am Stecker und nicht an der Leitung ziehen.
- Die Stromversorgungsleitung (oder Verlängerungsleitung) ist vor dem zufälligen Her-

ausziehen aus der Steckdose zu schützen. Die Stromversorgungsleitung muss so geführt werden, dass niemand zufällig darüber stolpern kann.

- Das Gerät muss während seiner Anwendung ständig kontrolliert werden.
- **Warnung!** Wenn der Stecker in der Netzsteckdose ist, muss man das Gerät als an die Stromversorgung angeschlossen betrachten.
- Bevor der Stecker aus der Netzsteckdose genommen wird, ist das Gerät auszuschalten.
- Das Gerät darf beim Tragen nicht an der Leitung gehalten werden.
- Benutzen Sie kein Zubehör, das nicht mit diesem Gerät mitgeliefert wurde.
- Das Gerät muss man ausschließlich an die Steckdose mit solch einer Spannung und Frequenz anschließen, wie auf dem Typenschild angegeben wird.
- Stecken Sie den Stecker in die Steckdose, die an einem leicht und bequem zugänglichen Ort angeordnet ist, und zwar so, dass das Gerät bei einer Störung sofort abgeschaltet werden kann. Um das Gerät vollständig auszuschalten, muss man es von der Stromquelle trennen. Zu diesem Zweck muss man den Stecker, der sich am Ende der vom Gerät getrennten Leitung befindetet, aus der Netzsteckdose ziehen.
- Vor dem Abtrennen des Steckers ist das Gerät auszuschalten!
- Benutzen Sie kein Zubehör, das nicht vom Hersteller empfohlen wird. Die Anwendung vom nicht empfohlenen Zubehör stellt eine Gefahr für den Nutzer dar und kann zur Beschädigung des Gerätes führen. Benutzen Sie ausschließlich Ersatzteile und Zubehör im Original.
- Dieses Gerät eignet sich nicht für den Gebrauch durch Personen (gilt auch für Kinder) mit geringerer Motorik, Sensorik oder geistiger Fähigkeit oder mangelhafter Erfahrung und Wissen.
- Auf keinen Fall darf das Bedienen des Gerätes durch Kinder zugelassen werden.
- Das Gerät mit Stromversorgungsleitung ist außerhalb der Reichweite von Kindern zu lagern.
- Ebenso muss dafür gesorgt werden, dass die Kinder das Gerät nicht zum Spielen benutzen.
- Das Gerät ist immer dann von der Stromversorgung zu trennen, wenn es ohne Aufsicht bleiben soll bzw. auch vor der Montage, Demontage und Reinigung.
- Während der Nutzung darf das Gerät nicht ohne Aufsicht gelassen werden.

## Besondere Sicherheitsvorschriften

- Das Gerät dient ausschließlich zur Herstellung von Eiswürfeln. Die Verwendung dieses Gerätes zu irgendeinem anderen Zweck kann zu seiner Beschädigung bzw. zu Körperverletzungen führen.
- Verwenden Sie das Gerät ausschließlich gemäß der vorliegenden Anweisung.



**Achtung! Es besteht Feuergefahr!** Im Gerät wird R290 als Kältemittel verwendet. Es ist ein umweltfreundliches, leicht brennbares Kältemittel. Obwohl das Kältemittel leicht brennbar ist, ist es unschädlich für die Ozonschicht und hat keinen Einfluss auf den Treibhauseffekt. Der Einsatz dieses Kältemittels führt jedoch zu einem leichten Anstieg des Lärmpegels des Gerätes.

Neben dem Lärm des Verdichters kann der Benutzer das Geräusch hören, das durch den Kältemittelstrom verursacht wird. Dieses Phänomen lässt sich nicht vermeiden und hat keine negativen Auswirkungen auf den Betrieb des Gerätes. Bei Transport und Aufstellung des Gerätes ist besonders darauf zu achten, dass keine Teile des Kältesystems beschädigt werden. Auslaufendes Kältemittel kann zu Augenschäden führen.

- Stellen Sie das Gerät nicht auf einen wärmemittlernden Gegenstand (Gasherd, Elektroherd, Grill, usw.). Lagern Sie es weit entfernt von heißen Flächen oder offenem Feuer. Bedienen Sie das Gerät auf einer ebenen, stabilen, sauberen und trockenen Fläche, die auch gegen die Einwirkung hoher Temperaturen beständig ist.
- Das Gerät ist für die Bedienung durch einen externen Timer oder ein gesondertes Fernsteuersystem nicht geeignet.
- **WARNUNG:** Verdecken Sie nicht die Belüftungsöffnungen im Gehäuse des Gerätes.
- **WARNUNG:** Verwenden Sie zwecks Beschleunigung des Abtauvorgangs weder mechanische Geräte noch andere Werkzeuge als vom Hersteller empfohlen.
- **WARNUNG:** Der Umlauf des Kältemittels darf nicht beschädigt werden.
- **WARNUNG:** Schließen Sie nur das Gerät an eine tragbare Wasserquelle an.
- Lagern Sie keine explosiven Stoffe, z.B. Aerosolbehälter zusammen mit dem im Gerät enthaltenen brennbaren Gas.
- Belassen Sie einen Freiraum von mindestens 15 cm rundum das Gerät, um eine richtige Belüftung zu gewährleisten.
- Schlagen Sie nicht die Außenfläche des Gerätes mit einem harten Gegenstand. Reinigen Sie das Gerät nicht mit einem Wasserstrahl unter Druck oder einem Dampfreiniger, spülen Sie das Gerät nicht mit Wasser ab, da die Teile im Gerät feucht werden oder eingetaucht werden können, was den Stromschlag verursacht.
- Schützen Sie das Gerät vor direkter Sonneneinstrahlung. Vermeiden Sie mechanische Stöße und Vibrationen des Gerätes.
- Um Schäden am Gerät zu vermeiden, tragen und transportieren Sie es immer vertikal.
- **Achtung!** Führen und sichern Sie entsprechend das Stromkabel, um ein unbeabsichtigtes Ziehen oder Berühren der erhitzten Oberfläche zu vermeiden.
- Reinigen und stellen Sie das Gerät nicht am Lagerort ab, bis es nicht völlig abgekühlt ist.
- Die Teile des Geräts dürfen in der Spülmaschine nicht gereinigt werden.

DE

---

#### Verwendungszweck des Gerätes

- Das Gerät ist für den Heimgebrauch oder zu einem ähnlichen Zweck konzipiert.
- Das Gerät dient ausschließlich zur Herstellung von Eiswürfeln. Die Verwendung des Gerätes für andere Zwecke kann zu seiner Beschädigung sowie zu Körperverletzungen führen.
- Jede andere Verwendung des Gerätes gilt als nicht bestimmungsgemäß. Der Benutzer ist allein verantwortlich für die unsachgemäße Nutzung des Gerätes.

## Montage der Erdung

Der Dispenser ist ein Gerät der I. Schutzklasse und bedarf der Erdung. Die Erdung verringert das Risiko des elektrischen Schlages durch Anwendung einer Ableitung des elektrischen Stromes. Das

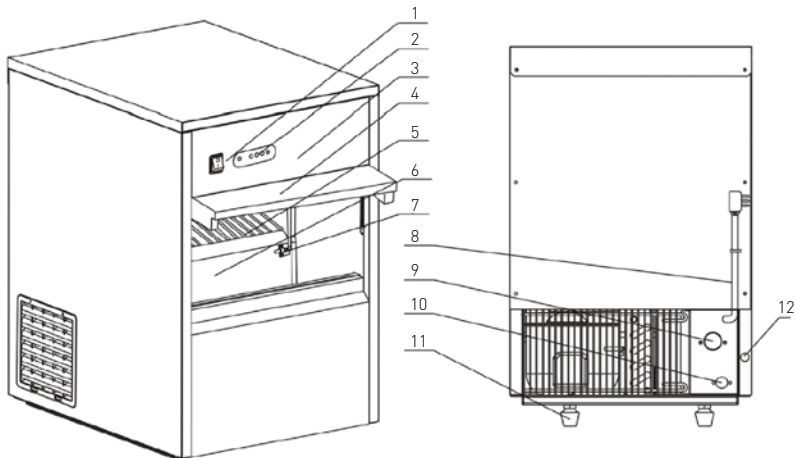
Gerät ist mit einer Erdungsleitung mit Erdungsstecker ausgestattet. Stecken Sie den Stecker nicht in die Steckdose, wenn das Gerät nicht entsprechend installiert und geerdet wurde.

## Vor erstem Gebrauch

- Überprüfen Sie es, ob das Gerät nicht beschädigt ist. Wenn irgendwelche Beschädigungen festgestellt werden, muss man sich sofort mit dem Lieferanten in Verbindung setzen und das Gerät darf NICHT in Betrieb genommen werden.
- Entfernen Sie alle Verpackungselemente und die Schutzfolie (falls vorhanden).
- Reinigen Sie das Gerät mit lauwarmem Wasser und einem weichen Tuch.
- Wenn nicht anders angegeben, stellen Sie das Gerät auf eine ebene und stabile Fläche.
- Vergewissern Sie sich, dass genügend Freiraum um das Gerät zur ausreichenden Belüftung vorhanden ist.
- Positionieren Sie das Gerät so, dass Sie immer einen guten Zugang zum Stecker haben.
- Stellen Sie sicher, dass der Eisbehälter und der Eisspachtel mitgeliefert sind. Wenn Sie irgendwelche Mängel feststellen, setzen Sie sich sofort mit dem Lieferanten in Verbindung.
- Reinigen Sie den Innenraum des Gerätes mit lauwarmem Wasser und einem weichen Tuch.
- Reinigen Sie den Eisbehälter.
- Setzen Sie das Gerät keiner direkten Sonneneinstrahlung aus oder stellen Sie es nicht in die Nähe einer Wärmequelle.
- Verwenden Sie das Gerät nicht innerhalb von 24 Stunden ab dem Tag, an dem es transportiert oder an einen anderen Ort gebracht wird.

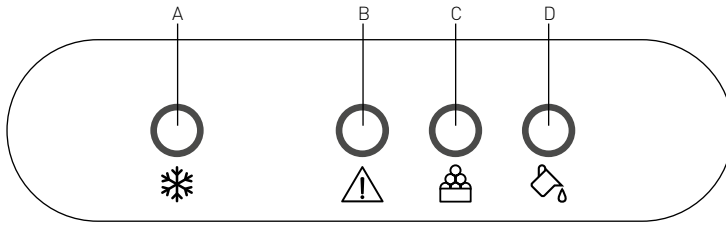
DE

## Hauptteile des Gerätes



1. EIN/AUS-Schalter mit eingebauter Kontrollleuchte (grün)
2. Display mit Kontrollleuchten mit verschiedenen Funktionen
3. Vorderes Steuerpanel
4. Schiebetür
5. Eisfach
6. Eisbehälter
7. Füllstandsensor des Eisbehälters
8. Stromkabel
9. Wasseranschluss
10. Öffnung der Ablaufleitung
11. Füße
12. Abdeckung der Ablauföffnung

## Steuerpanel



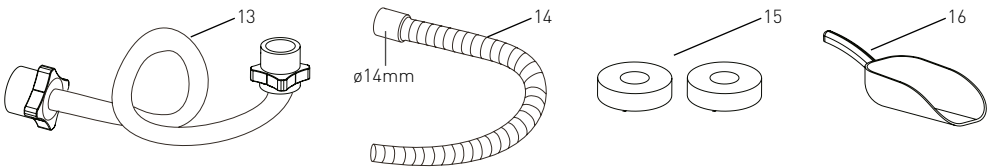
A). ❄️ : Kontrollleuchte für den Betrieb des Gerätes (grün)

B). ⚠️ : Kontrollleuchte für einen Fehler (rot)

C). 🚰 : Kontrollleuchte für die Befüllung des Behälters (gelb)

D). 💧 : Kontrollleuchte für einen niedrigen Wasserstand (gelb)

## Zubehör



13. Wasserzulaufleitung

14. Wasserablaufleitung

15. Zusätzliche Dichtungsscheiben x 2

16. Eisspachtel

## Montage des Geräts

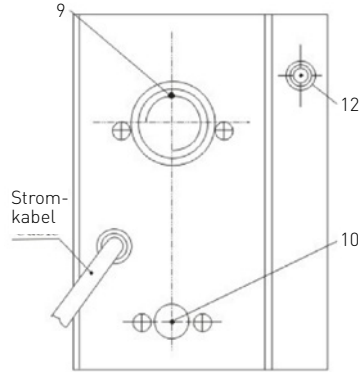
**Warnung:** Sämtliche Wartungs- und Montagearbeiten sowie die Reparatur des Geräts sollten ausschließlich durch qualifizierte, berechtigte Techniker durchgeführt werden.

- Überprüfen Sie das Gerät auf Vollständigkeit und eventuelle Beschädigungen. Setzen Sie sich mit dem Lieferanten in Verbindung und verwenden Sie das Gerät NICHT, wenn Sie eine unvollständige Lieferung oder Beschädigungen festgestellt haben.
- Überprüfen Sie, ob alle Zubehörteile, wie z.B. Wasserzu- und -ablaufleitungen, 2 zusätzliche Dichtungsscheiben und ein Eisspachtel, enthalten sind.
- Entfernen Sie alle Verpackungselemente und die Schutzfolie (falls vorhanden).
- Stellen Sie das Gerät auf eine horizontale, stabile und geschützte Fläche, die das Gewicht des Gerätes tragen kann, unter Berücksichtigung des Gewichts der hergestellten Eiswürfel.
- Setzen Sie das Gerät keiner direkten Sonneneinstrahlung aus oder stellen Sie es nicht in die Nähe einer Wärmequelle, z.B. Herd, Ofen usw.
- Achten Sie darauf, dass um das Gerät herum ein Freiraum von 15 cm für eine gute Belüftung vorhanden ist.
- Stellen Sie das Gerät an einer Stelle auf, an der der Stecker leicht zugänglich ist, damit es bei Bedarf schnell abgezogen werden kann.
- Stellen Sie das Gerät in die Nähe des Wasseranschlusses.

## Anschluss an den Wasseranschluss

**Warnung:** Schließen Sie das Gerät nur an einen kalten Trinkwasseranschluss an. Andernfalls muss vor der Inbetriebnahme des Gerätes ein Wasseraufbereitungssystem oder ein Filter installiert werden.

- Verbinden Sie ein Ende der Wasseranschlussschleuleitung (13) mit einer 3/4" Wasserverschraubung zum Anschluss der Trinkwasserversorgung. Schließen Sie dann das andere Ende der Leitung hinten am Gerät (9) an, indem Sie es im Uhrzeigersinn anschrauben. Bringen Sie vor dem Anschließen die Dichtungsscheiben (15) auf beiden Seiten der Leitung an.
- Schließen Sie dann die Wasserablaufleitung (14) an die Öffnung (10) der Wasserablaufleitung hinten am Gerät mit einem Gummiring an. Schließen Sie das andere Ende der Leitung an den Abfluss zur Kanalisation/Wasserbehälter an. Der Abfluss zur Kanalisation/Wasserbehälter muss tiefer als das Gerät positioniert sein, damit das Wasser frei fließen kann.



**Achtung:** Eingangs-Wasserdruck: 1-8 kg/cm<sup>2</sup>. Ist der Wasserdruck höher, muss ein Druckminderer montiert werden.

DE

## Betrieb

- Reinigen Sie vor der ersten Inbetriebnahme des Gerätes die Innen- und Außenflächen mit einem weichen, mit lauwarmem Wasser befeuchteten Tuch.
- Stellen Sie das Gerät an einem gut belüfteten Ort auf und lassen Sie mindestens 150 mm Freiraum um das Gerät herum für Lüftungszwecke.
- Lassen Sie das Gerät ca. eine Stunde lang stehen, um das Kältemittel richtig zu verteilen und zu stabilisieren. Vergewissern Sie sich, dass das Gerät ordnungsgemäß an das Wasserversorgungssystem angeschlossen ist.
- Schließen Sie dann das Gerät an die entsprechende Netzsteckdose an.
- Drücken Sie den EIN/AUS-Schalter (1) auf dem Steuerpanel, um das Gerät einzuschalten.
- Das Gerät saugt automatisch Wasser zur Reinigung der Innenteile an, und dann wird das Wasser abgelassen. Die 3 Kontrollleuchten "❄️", "⚠️" und "💧" leuchten auf und blinken für ca. 30 Sekunden.
- Der EIN/AUS-Schalter (1) leuchtet grün auf. Das Gerät beginnt zu arbeiten.
- Der Prozess der Eiskwürfel-Herstellung ist vollautomatisch und umfasst die folgenden Schritte:

Wasseraufnahme = = = = > Eiskwürfel-Herstellung = = = = > Eiskwürfel-Auswurf = = = > Eiskwürfel-Aufbewahrung.

- Schieben Sie die Tür (4) und nehmen Sie das Eis mit dem Spachtel (16) heraus.
- Wenn der Eisbehälter voll ist, leuchtet die Kontrollleuchte "❄️" gelb auf und wird die Arbeit am Gerät automatisch unterbrochen.
- Wenn die Eiskwürfel entfernt werden, setzt das Gerät ihre Produktion automatisch fort.
- Achtung: Entsorgen Sie aus hygienischen Gründen die im ersten Zyklus produzierten Eiskwürfel nach jedem Start des Gerätes. Verwenden Sie sie nicht zum Kühlen von Getränken oder Speisen.
- Bei unzureichender Wasserversorgung leuchtet die Kontrollleuchte "💧" gelb auf und das Gerät wird automatisch gestoppt. Überprüfen Sie den Wasseranschluss (Leitung) an das Gerät.
- Bei irgendwelchen Fehlern oder Störungen leuchtet die Kontrollleuchte "⚠️" rot auf und das Gerät wird automatisch gestoppt.
- Wenn das Gerät nicht in Gebrauch ist, schalten Sie es durch Drücken des EIN/AUS-Schalters (1) aus und trennen Sie es von der Stromversorgung.



#### **Achtung:**

- **SCHALTEN SIE** das Gerät **NICHT** sofort nach seinem automatischen Ausschalten wieder **EIN** (aufgrund von unzureichender Wasseraufnahme, vollem Eisbehälter oder Unterbrechung der Stromversorgung). Warten Sie vor der erneuten Inbetriebnahme ca. 3-5 Minuten, um Schäden am Verdichter zu vermeiden.

- Überprüfen Sie regelmäßig den Anschluss der Wasserab- und -zulaufleitung auf Undichtigkeiten oder verschüttetes Wasser.
- Wird das Gerät über einen längeren Zeitraum nicht benutzt, schrauben Sie die Abdeckung der Ablauföffnung (12) hinten am Gerät ab. Wischen Sie den Wasserbehälter mit einem sauberen, trockenen Tuch ab.

---

### **Reinigung und Wartung**

**Warnung:** Vor der Reinigung, Reparatur oder Wartung des Geräts, ist es immer von der Steckdose zu trennen und dazu muss man abwarten, bis es abgekühlt ist. Sämtliche Wartungs- und Montagearbeiten sowie die Reparatur des Geräts sollten ausschließlich durch qualifizierte, berechnigte Techniker durchgeführt werden.

#### **Reinigung**

- Reinigen Sie das Gerät nach jedem Gebrauch und nach einer längeren Stillstandzeit.
- Die Innen- und Außenflächen des Gerätes kann man mit einem feuchten Tuch mit einer geringen Menge eines Reinigungsmittels reinigen.
- Verwenden Sie zum Reinigen des Gerätes weder einen direkten Wasserstrahl, Dampfreiniger, noch tauchen Sie das gesamte Gerät in das Wasser.

- Reinigen Sie den Kondensator alle 2 - 3 Monate.
- Verwenden Sie zur Reinigung nur ein weiches Tuch - reinigen Sie nie das Gerät mit Reinigungsmitteln, die Scheuermittel enthalten, oder mit scheuernden Reinigern, da die Gefahr von Oberflächenbeschädigungen besteht.
- Nach der Reinigung wischen und polieren Sie die Oberfläche mit einem weichen und trockenen Tuch.


#### **Wartung**

- Überprüfen Sie das Stromkabel regelmäßig auf Beschädigungen, um einen elektrischen Schlag zu vermeiden. Verwenden Sie das Gerät niemals, wenn das Stromkabel beschädigt ist. Das beschädigte Kabel muss sofort von einem qualifizierten und autorisierten Techniker ausgetauscht werden.

- Das Gerät darf nur von qualifizierten Technikern unter Verwendung von Original-Ersatzteilen und Zubehör repariert und gewartet werden. Versuchen Sie **NICHT**, das Gerät selbst zu reparieren.

## Fehlerbehebung

Sollte das Gerät nicht ordnungsgemäß funktionieren, überprüfen Sie bitte die nachfolgende Tabelle für eine Lösung. Sollten Sie das Problem noch immer nicht lösen können, wenden Sie sich bitte an den Lieferanten/ Dienstanbieter.

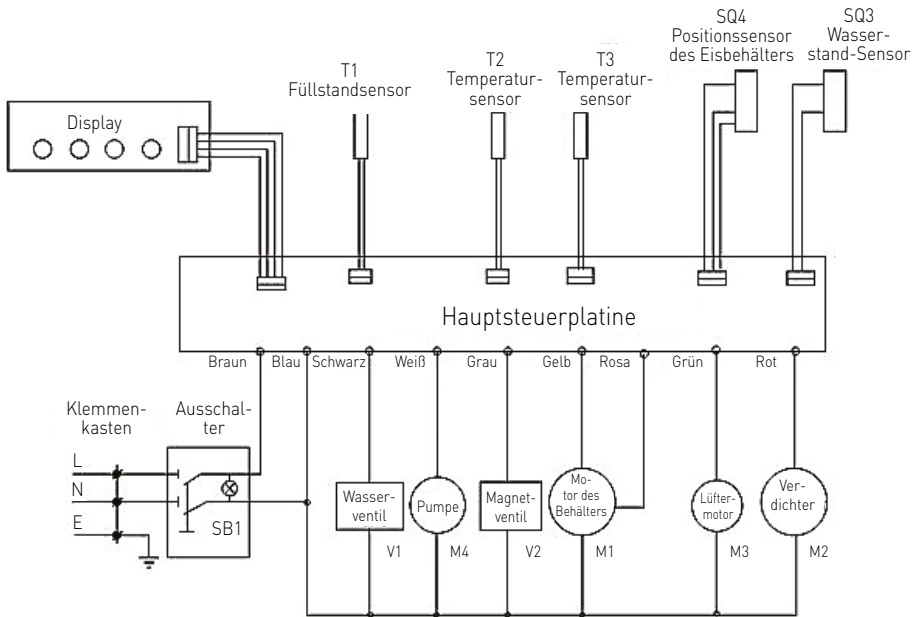
Problem	Mögliche Ursache	Lösungsvorschlag
Das Gerät funktioniert nicht.	<ul style="list-style-type: none"> <li>• Das Gerät ist ausgeschaltet.</li> <li>• Der Stecker ist nicht richtig an die Netzsteckdose angeschlossen.</li> </ul>	<ul style="list-style-type: none"> <li>• Schalten Sie das Gerät ein.</li> <li>• Prüfen Sie, ob der Stecker an die Netzsteckdose richtig angeschlossen ist.</li> </ul>
Der Verdichter funktioniert nicht.	<ul style="list-style-type: none"> <li>• Unzureichende Wasseraufnahme.</li> <li>• Der Behälter ist mit Eiswürfeln gefüllt.</li> </ul>	<ul style="list-style-type: none"> <li>• Überprüfen Sie den Anschluss des Wasserversorgungssystems. Wenn der Anschluss korrekt ist, setzen Sie das Gerät zurück.</li> <li>• Entfernen Sie einen Teil von Eis aus dem Behälter.</li> </ul>
Der Verdichter läuft, aber das Gerät produziert keine Eiswürfel.	<ul style="list-style-type: none"> <li>• Kältemittelleckage.</li> <li>• Das Kühlsystem ist gesperrt.</li> </ul>	<ul style="list-style-type: none"> <li>• Setzen Sie sich mit dem Lieferanten in Verbindung.</li> </ul>
 Die Kontrollleuchte leuchtet.	<ul style="list-style-type: none"> <li>• Unzureichende Wasseraufnahme.</li> <li>• Das Wasserventil ist defekt.</li> <li>• Der Druck des aufgenommenen Wassers ist zu niedrig.</li> </ul>	<ul style="list-style-type: none"> <li>• Überprüfen Sie den Anschluss des Wasserversorgungssystems. Wenn der Anschluss korrekt ist, setzen Sie das Gerät zurück.</li> <li>• Setzen Sie sich mit dem Lieferanten in Verbindung, um das Wasserventil auszutauschen.</li> <li>• Achten Sie darauf, dass der Druck des aufgenommenen Wassers mindestens <math>1\text{kg/cm}^2</math></li> </ul>

## Technische Spezifikation

Nr. des Produktes	271773	271780
Betriebsspannung und Frequenz	220-240V~ 50/60Hz	
Nennleistungsaufnahme	210W	280W
Nennstrom	1,4A	1,5A
Kältemittel / Menge des eingespritzten Mittels	R290 / 65g	R290 / 85g
Klimaklasse	N (16 °C bis zu 32 °C)	
Schutzklasse	Klasse I	
Lärmpegel	< 60 dB (A)	
Volumen des Eisbehälters	26 kg / 24 Stunden	50 kg / 24 Stunden
Eisbehälter	7 kg	
Nettogewicht (ca.)	31 kg	33 kg
Abmessungen	398 x 546 x (H) 682 mm	

Bemerkungen: Die Technische Spezifikation kann ohne frühere Ankündigung geändert werden.

## Elektrischer Schaltplan (Produktes 271773, 271780)



### Garantie

Alle innerhalb von einem Jahr nach dem Kaufdatum festgestellten Defekte oder Mängel, die die Funktionalität des Gerätes beeinträchtigen, werden auf dem Wege der unentgeltlichen Reparatur bzw. des Austausches unter der Voraussetzung beseitigt, dass das Gerät in einer der Bedienungsanleitung gemäßen Art und Weise betrieben und gewartet wird und weder vorsätzlich vernichtet noch nicht bestimmungsgemäß genutzt wurde. Ihre Rechte aus den entsprechenden Gesetzen

bleiben davon unberührt. Eine in der Garantiefrist einzureichende Beanstandung hat die Angabe des Kaufortes und Kaufdatums und in der Anlage einen Kaufbeleg (z.B. Kassenzettel) zu enthalten.

Gemäß unserer Politik der ständigen Weiterentwicklung unserer Produkte behalten wir uns vor, Änderungen am Produkt, an seiner Verpackung und an den dokumentierten technischen Daten ohne vorherige Ankündigung vorzunehmen.

### Entsorgung und Umweltschutz

Wird das Gerät außer Betrieb genommen, darf es nicht über den Hausmüll entsorgt werden. Der Benutzer ist für die Übergabe des Gerätes an eine geeignete Sammelstelle für Altgeräte verantwortlich. Die Nichteinhaltung dieser Regel kann gemäß den geltenden Vorschriften über die Abfallentsorgung bestraft werden. Die getrennte Sammlung und das Recycling der Altgeräte trägt zur Schonung der natürlichen Ressourcen

bei und sorgt für eine umwelt- und gesundheitsschonende Verwertungsweise. Weitere Informationen darüber, wo Sie Ihre Altgeräte entsorgen können, erhalten Sie bei Ihrem örtlichen Entsorgungsunternehmen. Der Hersteller und der Importeur übernehmen keine Verantwortung für das Recycling sowie die umweltfreundliche Verwertung von Abfällen, weder direkt noch über ein öffentliches System.

Geachte klant,

Hartelijk dank voor de aankoop van dit Arktic apparaat. Leest u deze gebruiksaanwijzing zorgvuldig voordat u het apparaat gebruikt, dit om schade door verkeerd gebruik te voorkomen. Lees vooral de veiligheidsinstructies aandachtig door.

## Veiligheidsinstructies

- Dit apparaat is bestemd voor gebruik in huishoudelijke en soortgelijke toepassingen zoals:
  - 1) Keukens voor medewerkers in winkels, kantoren en andere werkomgevingen;
  - 2) Boerderijen en voor gasten in hotels, motels en andere residentiële omgevingen;
  - 3) Bed-and-breakfast-accommodatie;
  - 4) Catering en soortgelijke toepassingen in de detailhandel.
- Dit apparaat mag alleen worden gebruikt voor commerciële doeleinden en mag niet worden gebruikt voor huishoudelijk gebruik.
- Het apparaat mag alleen worden gebruikt voor het doel waarvoor het werd ontworpen. De fabrikant aanvaardt geen enkele aansprakelijkheid voor schade als gevolg van onjuiste bediening en verkeerd gebruik.
- Zorg dat het apparaat en de stekker niet met water of een andere vloeistof in aanraking komen. Mocht het apparaat onverhoopt in het water vallen, trek dan onmiddellijk de stekker uit het stopcontact en laat het apparaat controleren door een erkend vakman. Niet-naleving hiervan kan levensgevaar opleveren.
- Probeer nooit zelf de behuizing van het apparaat te openen.
- Steek geen voorwerpen in de behuizing van het apparaat.
- Raak de stekker niet met natte of vochtige handen aan.
- **Gevaar van elektrische schokken!** Probeer het apparaat niet zelf te repareren. In het geval van storingen, laat reparaties alleen uitvoeren door gekwalificeerd personeel.
- **Gebruik nooit een beschadigd apparaat!** Als het apparaat is beschadigd, haal de stekker dan uit het stopcontact en neem contact op met de winkel.
- **Waarschuwing!** Dompel de elektrische onderdelen van het apparaat niet onder in water of andere vloeistoffen. Houd het apparaat nooit onder stromend water.
- Controleer de stekker en het netsnoer regelmatig op schade. Als de stekker of het netsnoer is beschadigd, moet het worden vervangen door de technische dienst of een soortgelijk gekwalificeerd persoon om gevaar of letsel te voorkomen.
- Zorg ervoor dat het netsnoer niet in contact komt met scherpe of hete voorwerpen en houd het uit de buurt van open vuur. Als u de stekker uit het stopcontact wilt halen, trek dan altijd aan de stekker en niet aan het netsnoer.
- Zorg ervoor dat niemand per ongeluk aan het netsnoer (of verlengsnoer) kan trekken of kan struikelen over het netsnoer.
- Houd het apparaat in de gaten tijdens gebruik.
- **Waarschuwing!** Zolang de stekker in het stopcontact zit, is het apparaat aangesloten op de voedingsbron.

- Schakel het apparaat uit voordat u de stekker uit het stopcontact trekt.
- Draag het apparaat nooit aan het netsnoer.
- Gebruik geen extra hulpmiddelen die niet worden meegeleverd met het apparaat.
- Sluit het apparaat alleen aan op een stopcontact met de spanning en frequentie die is vermeld op het typeplaatje.
- Sluit de stekker aan op een stopcontact dat eenvoudig bereikt kan worden, zodat de stekker in geval van nood onmiddellijk uit het stopcontact kan worden getrokken. Trek de stekker volledig uit het stopcontact om het apparaat volledig uit te schakelen. Gebruik de stekker om het apparaat los te koppelen van het lichtnet.
- Schakel het apparaat altijd uit voordat u de stekker uit het stopcontact trekt.
- Gebruik nooit accessoires die niet worden aanbevolen door de fabrikant. Zij kunnen mogelijk een veiligheidsrisico vormen voor de gebruiker en kunnen het apparaat mogelijk beschadigen. Gebruik alleen originele onderdelen en accessoires.
- Dit apparaat is niet geschikt voor gebruik door personen (inclusief kinderen) met een verminderd fysiek, sensorisch of geestelijk vermogen, of gebrek aan ervaring en kennis.
- Dit apparaat mag onder geen enkele omstandigheid worden gebruikt door kinderen.
- Houd het apparaat en het netsnoer buiten bereik van kinderen.
- Kinderen mogen niet met het apparaat spelen.
- Koppel het apparaat altijd los van het lichtnet als het onbeheerd wordt achtergelaten en voordat het apparaat wordt gemonteerd, gedemonteerd of gereinigd.
- Laat het apparaat nooit onbeheerd achter tijdens gebruik.

## Speciale veiligheidsvoorschriften

- Dit apparaat is alleen bedoeld voor het maken van ijsblokjes. Elk ander gebruik kan leiden tot schade aan het apparaat of lichamelijk letsel.
- Gebruik het apparaat alleen zoals beschreven in deze handleiding.
-  **Let op! Gevaar voor brand!** Het gebruikte koelmiddel is R290. Dit is een ontvlambaar koelmiddel dat milieuvriendelijk is. Hoewel het ontvlambaar is, beschadigt het de ozonlaag niet en het draagt niet bij aan het broeikaseffect. Het gebruik van het koelmiddel leidt echter wel tot een lichte toename van het geluidsniveau van het apparaat. Het is mogelijk dat u, naast het geluid van de compressor, ook het koelmiddel hoort stromen in het systeem. Dit is onvermijdelijk en heeft geen nadelig effect op de prestaties van het apparaat. Tijdens het transport en de installatie van het apparaat moet erop worden gelet dat er geen onderdelen van het koelsysteem worden beschadigd. Lekkend koelmiddel kan uw ogen schaden.
- Plaats het apparaat niet op een verwarmingsvoorwerp (kooktoestel op benzine, elektriciteit, houtskool, etc.) en houd het uit de buurt van hete oppervlakken en open vlammen. Gebruik het apparaat altijd op een horizontale, stabiele, schone, hittebestendige en droge ondergrond.
- Dit apparaat is niet bedoeld om gebruikt te worden in combinatie met een externe timer of apart afstandsbedieningssysteem.
- **WAARSCHUWING:** Houd alle ventilatieopeningen in de behuizing van het apparaat vrij.

- **WAARSCHUWING:** Gebruik alleen door de fabrikant aanbevolen mechanische apparaten of andere middelen om het ontdooiproces te versnellen.
- **WAARSCHUWING:** Beschadig het koelmiddelcircuit niet.
- **WAARSCHUWING:** Sluit alleen aan op drinkwatertoevoer.
- Bewaar geen explosieve stoffen zoals spuitbussen met brandbaar drijfgas in dit apparaat.
- Laat tijdens gebruik minimaal 15 cm ruimte vrij rond het apparaat voor ventilatie.
- Gebruik geen hard keukengerei om op het buitenoppervlak van het apparaat te slaan. Gebruik geen waterstralen of stoomreiniger en spoel niet rechtstreeks met water, omdat de onderdelen van de machine nat kunnen worden en dit kan leiden tot elektrische schokken.
- Niet blootstellen aan direct zonlicht. Vermijd mechanische schokken en trillingen.
- Verplaats of transporteer het apparaat altijd in een rechtopstaande positie om schade aan het apparaat te voorkomen.
- Let op! Plaats het netsnoer indien nodig op een veilige manier om te voorkomen dat het netsnoer in contact kan komen met het verwarmingsoppervlak en dat er per ongeluk aan het netsnoer kan worden getrokken.
- Alleen reinigen en opbergen als het apparaat volledig is afgekoeld.
- Geen van de onderdelen zijn vaatwasmachinebestendig.

---

### Beoogd gebruik

- Dit apparaat is bedoeld voor huishoudelijke en soortgelijke toepassingen.
- Dit apparaat is alleen ontworpen voor het maken van ijsblokjes. Elk ander gebruik kan leiden tot schade aan het apparaat of lichamelijk letsel.
- Gebruik van het apparaat voor andere doeleinden wordt beschouwd als verkeerd gebruik van het apparaat. De gebruiker is volledig aansprakelijk voor alle risico's die voortvloeien uit verkeerd gebruik van het apparaat.

---

### Installatie met aarding

Dit apparaat is geclassificeerd als beschermingsklasse I en moet worden aangesloten op een aansluiting met aarde. Aarding verlaagt de kans op elektrische schokken doordat elektrische stroom via een ontsnapingsdraad kan weglipen. Dit ap-

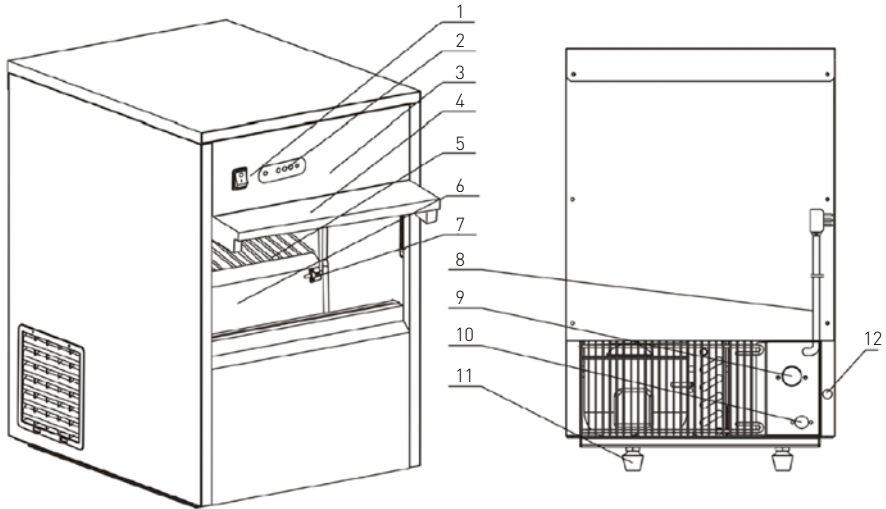
paraat is uitgerust met een snoer met een aarde-draad en een geaarde stekker. De stekker moet in een stopcontact worden gestoken dat juist is geïnstalleerd en geaard.

---

### Vorbereidingen voor het eerste gebruik

- Controleer of het apparaat onbeschadigd is. Neem in geval van schade onmiddellijk contact op met uw leverancier en gebruik het apparaat NIET.
- Verwijder alle verpakkingsmaterialen en het beschermingsfolie (indien van toepassing).
- Reinig het apparaat met lauw water en een zachte doek.
- Plaats het apparaat op een vlakke en stabiele ondergrond, tenzij anders vermeld.
- Zorg ervoor dat er voldoende ruimte vrij wordt gelaten rond het apparaat voor ventilatie.
- Plaats het apparaat zodanig dat de stekker te allen tijde bereikbaar is.
- Controleer of de ijsbak en ijschep zijn meegeleverd. Als er onderdelen ontbreken, neem dan contact op met uw leverancier.
- Reinig de binnenkant van het apparaat met lauw water en een zachte doek.
- Reinig de ijsbak.
- Plaats de ijsblokjesmachine niet in direct zonlicht of in de buurt van een hittebron.
- Laat de ijsblokjesmachine na transport of verplaatsing minimaal 24 uur rusten.

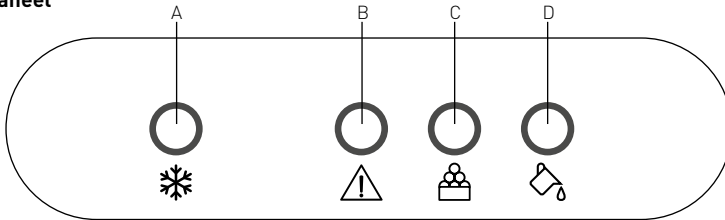
## Belangrijkste onderdelen van het apparaat



- |  |                         |
|--|-------------------------|
| 1. AAN / UIT-knop met ingebouwd indicatielampje (groen)        | 6. IJsopslagbak         |
| 2. Display met indicatielampjes voor de verschillende functies | 7. IJscapaciteitssensor |
| 3. Voorpaneel  | 8. Netsnoer             |
| 4. Schuifdeur  | 9. Inlaat watertoevoer  |
| 5. IJsrek  | 10. Gat afvoerslang     |
|  | 11. Voetjes             |
|  | 12. Afdekking afvoer    |

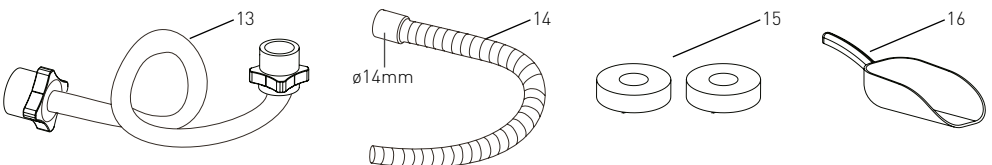
NL

## Bedieningspaneel



- |  |  |
|--|--|
| A). ❄️ : Bedrijfsindicatielampje (groen) | C). 🛢️ : Opslagreservoir is vol (geel) |
| B). ⚠️ : Foutweergave (rood)             | D). 💧 : Waterniveau is te laag (geel)  |

## Accessoires



- |                       |                           |
|-----------------------|---------------------------|
| 13. Watertoevoerslang | 15. Reserve afdichting x2 |
| 14. Waterafvoerslang  | 16. IJsschep              |

## Installatie van het apparaat

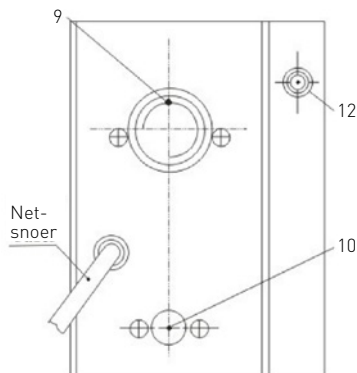
**Attentie:** Alle installatie-, onderhouds- en reparatiewerkzaamheden mogen alleen worden uitgevoerd door een gekwalificeerd en erkend technicus.

- Controleer of het apparaat onbeschadigd en compleet is geleverd. In het geval van schade of een onvolledige levering, gebruik het apparaat NIET en neem onmiddellijk contact op met de leverancier.
- Controleer of alle accessoires zoals de watertoevoerslang, waterafvoerslang, 2 reserve afdichtingen & ijsschep zijn meegeleverd.
- Verwijder alle verpakkingsmaterialen en het beschermingsfolie (indien van toepassing).
- Plaats het apparaat op een vlakke, stabiele en veilige ondergrond die het gewicht van het apparaat in combinatie met de ijsblokjes die geproduceerd worden tijdens gebruik kan dragen.
- Voorkom blootstelling aan direct zonlicht of directe warmtebronnen zoals een fornuis, oven, etc.
- Zorg ervoor dat er minimaal 15 cm ruimte wordt vrijgelaten rond het apparaat voor ventilatie.
- Plaats het apparaat zodanig dat de stekker te allen tijde bereikbaar is en snel uit het stopcontact kan worden getrokken in geval van nood.
- Installeer het apparaat in de buurt van een watertoevoeraansluiting.

## Aansluiting op de watertoevoer

**Attentie:** Het apparaat mag alleen worden aangesloten op een kouddrinkwatertoevoer. Als u dit niet doet, moet er eerst een reinigingssysteem of filter worden geïnstalleerd.

- Sluit één uiteinde van de watertoevoerslang (13) aan op de 3 / 4" schroefverbinding van de toevoer van de kraan om drinkwater te verkrijgen. Sluit vervolgens het andere uiteinde van deze slang aan op de achterkant van het apparaat (9) en draai met de klok mee vast. Zorg er vóór het aansluiten voor dat de afdichtingen (15) aan beide uiteinden worden aangebracht.
- Sluit vervolgens één uiteinde van de afvoerslang (14) met behulp van de rubberen afvoermandet aan op de achterkant van het apparaat (10). Bevestig het andere uiteinde aan de rioolafvoer / waterbak. De rioolafvoer / waterbak moet zich op een lagere hoogte bevinden dan het apparaat, zodat het water naar buiten kan stromen.



**Opmerking:** Het drukbereik van het toevoerwater: 1- 8 kg/cm<sup>2</sup>. Er moet een drukregelaar worden geïnstalleerd als de druk buiten dit bereik ligt.



## Bediening

- Reinig de binnen- en buitenoppervlakken van het apparaat voor het eerste gebruik met lauw water en een zachte doek.
- Plaats het apparaat op een goed geventileerde plaats en laat minimaal 150 mm vrij rond het apparaat voor ventilatie.
- Laat het apparaat ongeveer een uur alleen staan om het koelmiddel te laten bezinken. Zorg ervoor dat het apparaat goed wordt aangesloten op het watertoevoersysteem.
- Steek daarna de stekker in een geschikt stopcontact.
- Druk op de AAN / UIT-knop (1) op het bedieningspaneel om het apparaat te starten.
- Het apparaat gebruikt vervolgens water om zich van binnen te reinigen en het water stroomt automatisch uit het apparaat. De 3 indicatielampjes "❄️", "⚠️" en "💧" lichten op & knipperen ongeveer 30 seconden.
- De AAN / UIT-knop (1) licht ook groen op. Het apparaat begint te werken.
- Het maken van ijsblokjes is een volledig automatisch proces, dat bestaat uit de volgende fasen: Watertoevoer = = > productie van ijsblokjes = = > uitwerpen van ijsblokjes = = > opslag van ijsblokjes.
- Druk vervolgens tegen de schuifdeur (4) en gebruik de ijsschep (16) om het ijs uit het apparaat te halen.
- Als de ijsopslagbak vol is, licht het indicatielampje "💧" geel op en het apparaat stopt automatisch met werken.
- Zodra de ijsblokjes uit het apparaat zijn gehaald, gaat het apparaat automatisch verder met het maken van ijsblokjes.

- **Opmerking:** Om sanitaire redenen moet u bij elk gebruik de ijsblokjes die tijdens het eerste cyclus worden gemaakt weggooien. Gebruik ze niet voor dranken of het koelen van voedsel.
- Als er onvoldoende watertoevoer is, zal het indicatielampje "💧" geel oplichten en het apparaat stopt automatisch met werken. Controleer de watertoevoer(slang) die is aangesloten op het apparaat.
- Als er een fout of storing optreedt, zal het indicatielampje "⚠️" rood oplichten en het apparaat stopt automatisch met werken.
- Schakel het apparaat UIT door op de AAN / UIT-knop (1) te drukken en trek de stekker uit het stopcontact wanneer het apparaat niet wordt gebruikt.

### Opmerkingen:

- Schakel het apparaat NIET direct in nadat het automatisch is uitgeschakeld (veroorzaakt door onvoldoende watertoevoer, een te volle ijsbak of stroomonderbreking). Wacht ten minste 3 ~ 5 minuten om schade aan de compressor te voorkomen.
- Controleer de verbindingen van de watertoevoeren -afvoerslang regelmatig op lekkage en controleer op het overlopen van aanwezig water.
- Als het apparaat gedurende een lange periode niet wordt gebruikt, schroef de afdekking van de afvoer (12) op de achterkant van het apparaat dan van het apparaat af. Veeg het waterreservoir droog met een droge, schone doek.

## Reiniging & onderhoud

**Attentie:** Trek de stekker van het apparaat altijd uit het stopcontact en laat het apparaat volledig afkoelen alvorens reinigings-, reparatie- of onderhoudswerkzaamheden uit te voeren. Al deze werkzaamheden mogen alleen worden uitgevoerd door een gekwalificeerd en erkend technicus.

### Reiniging

- Reinig het apparaat grondig na elk gebruik en na een lange periode.
- De buiten- en binnenoppervlakken mogen gereinigd worden met een vochtige doek en een beetje reinigingsmiddel.
- Gebruik geen waterstraal of stoomreiniger voor het reinigen en dompel de machine niet onder in water.
- Reinig de condensor elke 2 ~ 3 maanden.
- Gebruik alleen een zachte doek en zorg ervoor dat u nooit schuurmiddelen of schuursponsjes gebruikt die het oppervlak kunnen bekrassen.
- Na de reinigingsprocedure moet u een zachte en droge doek gebruiken om het oppervlak droog te vegen en op te poetsen.

### Onderhoud

- Controleer het netsnoer van tijd tot tijd op schade om elektrische schokken te voorkomen. Gebruik het apparaat nooit als het netsnoer is beschadigd. Een beschadigd netsnoer moet onmiddellijk worden vervangen door een gekwalificeerd en erkend technicus.
- Reparatie- en onderhoudswerkzaamheden mogen alleen worden uitgevoerd door een gekwalificeerd technicus en er moet gebruik worden gemaakt van originele reserve-onderdelen en accessoires. Probeer het apparaat NIET zelf te repareren.

### Problemen oplossen

Als het apparaat niet naar behoren functioneert, raadpleeg dan de onderstaande tabel voor een oplossing. Als u het probleem nog steeds niet kunt oplossen, neem contact op met de leverancier/dienstverlener.

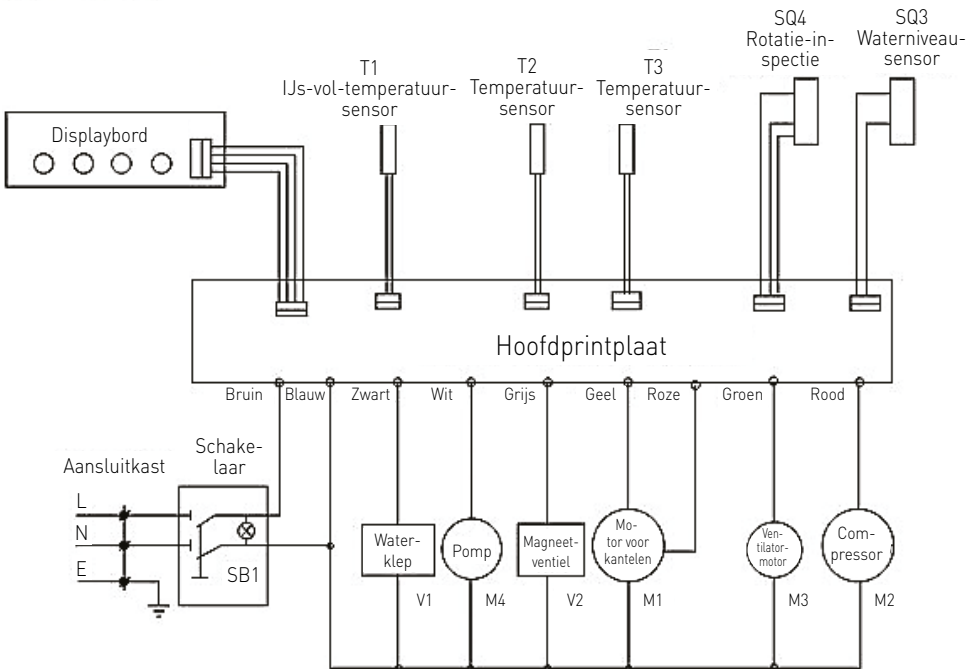
Problemen	Mogelijke oorzaken	Mogelijke oplossing
Apparaat werkt niet.	<ul style="list-style-type: none"><li>• Apparaat is uitgeschakeld.</li><li>• De stekker is niet juist in het stopcontact gestoken.</li></ul>	<ul style="list-style-type: none"><li>• Schakel het apparaat in.</li><li>• Controleer of de stekker juist is aangesloten op het stopcontact.</li></ul>
Compressor werkt niet.	<ul style="list-style-type: none"><li>• Watertekort van watertoevoersysteem.</li><li>• Bak zit vol met ijs.</li></ul>	<ul style="list-style-type: none"><li>• Controleer het watertoevoersysteem. Start het apparaat opnieuw indien alles ok is.</li><li>• Haal wat ijs uit het apparaat.</li></ul>
Compressor werkt, maar er worden geen ijsblokjes gemaakt.	<ul style="list-style-type: none"><li>• Koelmiddellekkage</li><li>• Het koelsysteem is verstopt.</li></ul>	<ul style="list-style-type: none"><li>• Neem contact op met de leverancier.</li></ul>
 Indicatielampje brandt	<ul style="list-style-type: none"><li>• Watertekort van watertoevoersysteem.</li><li>• Waterklep is beschadigd.</li><li>• Kraanwaterdruk is te laag.</li></ul>	<ul style="list-style-type: none"><li>• Controleer het watertoevoersysteem. Start het apparaat opnieuw indien alles ok is.</li><li>• Neem contact op met de leverancier om de waterklep te vervangen.</li><li>• Zorg ervoor dat de kraanwaterdruk ten minste <math>1\text{kg/cm}^2</math> is</li></ul>

## Technische specificaties

Artikelnr.	271773	271780
Bedrijfsspanning en frequentie	220-240V- 50/60Hz	
Nominaal ingangsvermogen	210W	280W
Nominale stroom	1,4A	1,5A
Gebruikt koelmiddel en injectiehoeveelheid	R290 / 65g	R290 / 85g
Klimaatklasse	N (16°C tot 32°C)	
Beschermingsklasse	Klasse I	
Geluidsniveau	< 60 dB (A)	
IJsmmaakcapaciteit	26 kg / 24 uur	50 kg / 24 uur
IJsreservoir	7 kg	
Nettogewicht (ca.)	31 kg	33 kg
Afmetingen	398 x 546 x (H) 682 mm	

**Opmerking: Technische specificaties onderhevig aan verandering zonder voorafgaande kennisgeving.**

## Elektrisch schema (Artikelnr. 271773, 271780)



---

## Garantie

Elk defect waardoor de werking van het apparaat nadelig wordt beïnvloed dat zich binnen één jaar na aankoop van het apparaat voordoet, wordt gratis hersteld door reparatie of vervanging, mits het apparaat conform de instructies is gebruikt en onderhouden en niet op enigertei wijze verkeerd is behandeld of misbruikt. Dit laat onverlet uw bij wet bepaalde rechten. Als de garantie van kracht

is, vermeld dan waar en wanneer u het apparaat hebt gekocht en sluit een aankoopbewijs bij (bijv. kassabon of factuur).

Gezien ons streven naar voortdurende verdere productontwikkeling behouden wij ons het recht voor, zonder voorafgaande kennisgeving wijzigingen aan te brengen aan product, verpakking en documentatie.

---

## Verwijdering & milieu

Bij de buitengebruikstelling van het apparaat, mag het niet met het overige huisafval worden verwijderd. In plaats daarvan is het uw verantwoordelijkheid om uw afgedankte apparatuur in te leveren bij een daartoe aangewezen inzamelpunt. Het niet opvolgen van deze regel kan worden bestraft in overeenstemming met de geldende voorschriften voor afvalverwerking. De gescheiden inzameling en recycling van uw afgedankte apparatuur ten tijde van buitengebruikstelling helpt bij de instand-

houding van natuurlijke hulpbronnen en waarborgt dat de apparatuur wordt gerecycled op een manier die de volksgezondheid en het milieu beschermt. Voor meer informatie over waar u uw afval kunt inleveren voor recycling kunt u contact opnemen met uw lokale afvalverwerkingsbedrijf. De fabrikant en importeurs nemen geen verantwoordelijkheid voor de recycling, behandeling en ecologische verwijdering, hetzij rechtstreeks of via een openbaar systeem.

Szanowny Kliencie,

Dziękujemy za zakup urządzenia firmy Arctic. Prosimy o uważne zapoznanie się z niniejszą instrukcją przed podłączeniem urządzenia, aby uniknąć uszkodzeń spowodowanych niewłaściwą obsługą. Należy zwrócić szczególną uwagę na zasady bezpieczeństwa.

## Zasady bezpieczeństwa

- Urządzenie przeznaczone jest do użytku w gospodarstwach domowych oraz w następujących miejscach:
  - 1) kuchnie dla pracowników w sklepach, biurach i innych miejscach pracy;
  - 2) gospodarstwa domowe i kuchnie przeznaczone do użytku gości w hotelach, motelach oraz innych obszarach mieszkalnych;
  - 3) hotele typu „bed and breakfast”;
  - 4) placówki oferujące usługi gastronomiczne oraz podobne instytucje zajmujące się handlem niedetailicznym.
- Niniejsze urządzenie przeznaczone jest wyłącznie do użytku komercyjnego i nie może być stosowane do użytku domowego.
- Urządzenie należy stosować wyłącznie zgodnie z przeznaczeniem. Producent nie ponosi żadnej odpowiedzialności za szkody spowodowane nieprawidłową obsługą i niewłaściwym użytkowaniem urządzenia.
- W czasie użytkowania zabezpiecz urządzenie i wtyczkę kabla zasilającego przed kontaktem z wodą lub innymi płynami. W mało prawdopodobnym przypadku zanurzenia urządzenia w wodzie, należy natychmiast wyciągnąć wtyczkę z kontaktu, a następnie zlecić kontrolę urządzenia specjalistom. Nieprzestrzeganie tej instrukcji może spowodować zagrożenie życia.
- Nigdy nie otwieraj samodzielnie obudowy urządzenia.
- Nie wtykaj żadnych przedmiotów w obudowę urządzenia.
- Nie dotykaj wtyczki kabla zasilającego wilgotnymi rękami.
- **Niebezpieczeństwo porażenia prądem!** Nie należy samodzielnie naprawiać urządzenia. Wszelkie usterki i niesprawności winny być usuwane wyłącznie przez wykwalifikowany personel.
- **Nigdy nie używać uszkodzonego urządzenia!** Uszkodzone urządzenie należy odłączyć od sieci i skontaktować się ze sprzedawcą.
- **Ostrzeżenie:** Nie zanurzać części elektrycznych urządzenia w wodzie ani w innych płynach. Nie wkładać urządzenia pod bieżącą wodę.
- Regularnie sprawdzać wtyczkę i sznur zasilający pod kątem uszkodzeń. Uszkodzoną wtyczkę lub sznur przekazać w celu naprawy do punktu serwisowego lub innej wykwalifikowanej osoby, aby zapobiec ewentualnym zagrożeniom i obrażeniom ciała.
- Upewnić się, czy sznur zasilający nie styka się z ostrymi ani gorącymi przedmiotami; trzymać sznur z dala od otwartego płomienia. Aby wyjąć wtyczkę z gniazdka, zawsze ciągnąć za wtyczkę, a nie za sznur.
- Zabezpieczyć sznur zasilający (lub przedłużający) przez przypadkowym wyciągnięciem z kontaktu. Sznur prowadzić w sposób uniemożliwiający przypadkowe potknięcie.

- Stale nadzorować urządzenie podczas użytkowania.
- Ostrzeżenie! Jeżeli wtyczka jest włożona do gniazdka, urządzenie należy uważać za podłączone do zasilania.
- Przed wyjęciem wtyczki z gniazdka wyłączyć urządzenie!
- Nigdy nie przenosić urządzenia, trzymając za sznur.
- Nie używać żadnych akcesoriów, które nie zostały dostarczone wraz z urządzeniem.
- Urządzenie należy podłączać wyłącznie do gniazdka o napięciu i częstotliwości podanych na tabliczce znamionowej.
- Włożyć wtyczkę do gniazdka zlokalizowanego w dogodnym łatwo dostępnym miejscu, tak by w przypadku awarii istniała możliwość natychmiastowego odłączenia urządzenia. W celu całkowitego wyłączenia urządzenia odłączyć je od źródła zasilania. W tym celu wyjąć z gniazdka wtyczkę znajdującą się na końcu sznura odłączanego urządzenia.
- Przed odłączeniem wtyczki zawsze pamiętać o wyłączeniu urządzenia!
- Nie korzystać z akcesoriów niezalecanych przez producenta. Zastosowanie niezalecanych akcesoriów może stwarzać zagrożenie dla użytkownika oraz prowadzić do uszkodzenia urządzenia. Korzystać wyłącznie z oryginalnych części i akcesoriów.
- Z urządzenia nie mogą korzystać osoby (także dzieci), u których stwierdzono osłabione zdolności fizyczne, sensoryczne lub umysłowe, albo którym brakuje odpowiedniej wiedzy i doświadczenia.
- W żadnym wypadku nie zezwalać na obsługę urządzenia przez dzieci.
- Urządzenie wraz ze sznurem przechowywać poza zasięgiem dzieci.
- Nie dopuścić, by dzieci wykorzystywały urządzenie do zabawy.
- Zawsze odłączyć urządzenie od zasilania, jeżeli ma być ono pozostawione bez nadzoru, a także przed montażem, demontażem i czyszczeniem.
- Nie zostawiać urządzenia bez nadzoru podczas użytkowania.

## Szczególne przepisy bezpieczeństwa

- Urządzenie przeznaczone jest wyłącznie do wytwarzania kostek lodu. Stosowanie urządzenia w jakimkolwiek innym celu może prowadzić do jego uszkodzenia lub do obrażeń ciała.
- Korzystaj z urządzenia wyłącznie zgodnie z niniejszą instrukcją.



**Uwaga! Niebezpieczeństwo powstania ognia!** W urządzeniu wykorzystany jest czynnik chłodniczy R290. Jest to przyjazny dla środowiska łatwopalny czynnik chłodniczy. Chociaż czynnik jest łatwopalny, nie jest szkodliwy dla warstwy ozonowej i nie ma wpływu na efekt cieplarniany. Wykorzystanie tego czynnika chłodniczego prowadzi jednak do nieznacznego podwyższenia poziomu hałasu wytwarzanego przez urządzenie. Poza hałasem generowanym przez sprężarkę, użytkownik może usłyszeć dźwięk spowodowany przepływem czynnika chłodniczego. Powyższego zjawiska nie da się uniknąć i nie ma on negatywnego wpływu na funkcjonowanie urządzenia. Podczas transportu i ustawiania urządzenia należy zachować szczególną ostrożność, by nie uszkodzić żadnych części systemu chłodniczego. Wyciekający czynnik chłodniczy może prowadzić do uszkodzenia oczu.

- Nie umieszczaj urządzenia na obiekcie emitującym ciepło (kuchenka gazowa, elektryczna, grill, itp.). Przechowuj urządzenie z dala od jakichkolwiek gorących powierzchni lub otwartego płomienia. Urządzenie powinno zostać ustawione i być obsługiwane na równej, stabilnej, czystej i suchej powierzchni, odpornej na działanie wysokich temperatur.
- Urządzenie nie jest przystosowane do obsługi za pomocą zewnętrznego timera lub oddzielnego systemu zdalnego sterowania.
- OSTRZEŻENIE: Nie zastanij otworów wentylacyjnych obudowy urządzenia.
- OSTRZEŻENIE: Nie używaj przyrządów mechanicznych ani narzędzi innych niż zalecane przez producenta w celu przyspieszenia procesu rozmrażania.
- OSTRZEŻENIE: Nie wolno doprowadzić do uszkodzenia obiegu czynnika chłodniczego.
- OSTRZEŻENIE: Podłącz jedynie do przenośnego źródła wody.
- Nie składuj substancji wybuchowych, np. pojemników z aerozolem wraz z łatwopalnym gazem znajdującym się w urządzeniu.
- Zapewnij co najmniej 15-centymetrową przestrzeń wokół urządzenia, celem umożliwienia odpowiedniej wentylacji podczas użytkowania.
- Nie uderzaj twardymi narzędziami w zewnętrzną powierzchnię urządzenia. Nie czyść urządzenia strumieniem wody pod ciśnieniem ani przy pomocy myjki parowej, nie sputuj urządzenia wodą, ponieważ doprowadzi to do zawilgocenia lub zamoczenia części wewnątrz urządzenia, co może skutkować porażeniem prądem.
- Zabezpiecz przed bezpośrednim działaniem światła słonecznego. Unikaj wstrząsów mechanicznych i wibracji urządzenia.
- Aby nie dopuścić do uszkodzenia urządzenia, zawsze przenoś i transportuj je w pozycji pionowej.
- Uwaga! Odpowiednio poprowadź i zabezpiecz przewód zasilający, aby zapobiec przypadkowemu pociągnięciu lub kontaktowi z nagrzaną powierzchnią.
- Nie czyść ani nie umieszczaj urządzenia w miejscu przechowywania, zanim całkowicie nie ostygnie.
- Części urządzenia nie mogą być myte w zmywarce.

---

## PRZEZNACZENIE

- Urządzenie przeznaczone jest do użytku domowego lub do podobnego celu.
- Urządzenie przeznaczone jest wyłącznie do wytwarzania kostek lodu. Użycie urządzenia w jakimkolwiek innym celu może prowadzić do jego uszkodzenia lub do obrażeń ciała.
- Wykorzystanie urządzenia w jakimkolwiek innym celu uznane będzie za wykorzystanie niezgodne z przeznaczeniem. Użytkownik będzie wyłącznie odpowiedzialny za nieprawidłowe wykorzystanie urządzenia.

---

## Montaż uziemienia

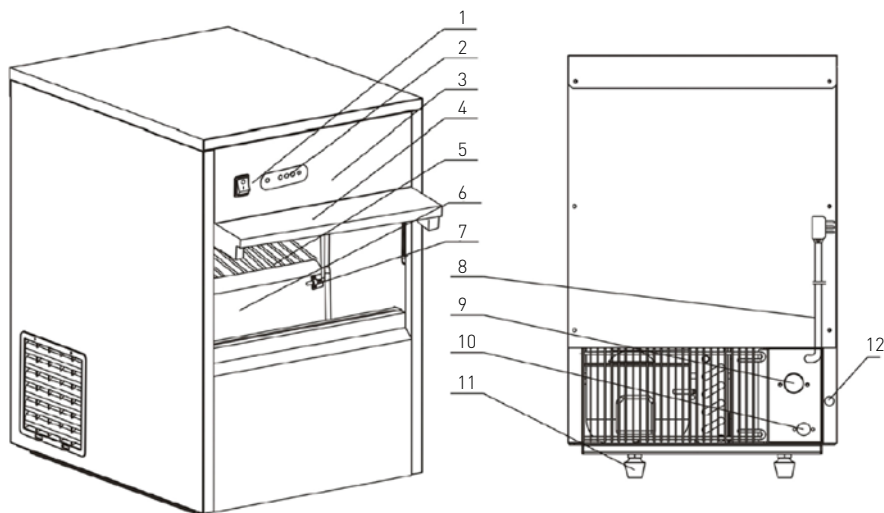
Kuchenka jest urządzeniem I klasy ochronności i wymaga uziemienia. Uziemienie zmniejsza ryzyko porażenia prądem, dzięki zastosowaniu przewodu odprowadzającego prąd elektryczny. Kuchenka wy-

posażona jest w przewód z uziemieniem z wtykiem uziemiającym. Wtyczka musi zostać podłączona do gniazdka sieciowego, które zostało odpowiednio zamontowane i uziemione.

## Przed pierwszym użyciem

- Sprawdź, czy urządzenie nie jest uszkodzone. W przypadku jakichkolwiek uszkodzeń, niezwłocznie skontaktuj się z dostawcą i NIE uruchamiaj urządzenia.
- Zdejmij wszelkie elementy opakowania i folię ochronną (jeśli dotyczy).
- Przetrzyj urządzenie miękką szmatką zwilżoną w letniej wodzie.
- O ile nie zalecono inaczej, ustaw urządzenie na płaskim i stabilnym podłożu.
- Upewnij się, czy wokół urządzenia została zachowana odpowiednia przestrzeń w celu zapewnienia prawidłowej wentylacji.
- Ustaw urządzenie tak, aby mieć zawsze dobry dostęp do wtyczki.
- Upewnij się, czy do urządzenia dotychczasono pojemnik na lód i łopatkę do lodu. W przypadku stwierdzenia jakichkolwiek braków, niezwłocznie skontaktuj się z dostawcą.
- Przetrzyj wewnątrz urządzenia miękką szmatką zwilżoną letnią wodą.
- Wyczyść pojemnik na lód.
- Nie wystawiaj urządzenia na bezpośrednie działanie promieni słonecznych ani nie stawiaj w pobliżu źródła ciepła.
- Nie korzystaj z urządzenia w ciągu 24 godzin od dnia jej transportu lub przestawienia w inne miejsce.

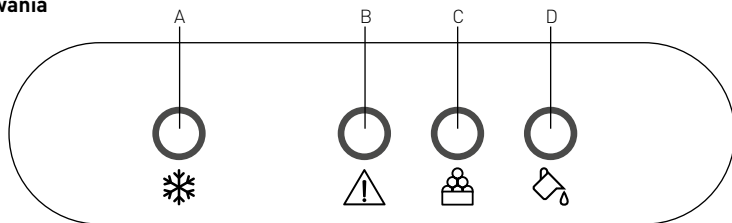
## Główne części urządzenia



1. Przetącznik ON/OFF z wbudowaną lampką sygnalizacyjną (zieloną)
2. Wyświetlacz z lampkami sygnalizacyjnymi o różnych funkcjach
3. Panel przedni
4. Drzwi przesuwane
5. Półka na lód
6. Pojemnik na lód
7. Czujnik zapewnienia pojemnika na lód
8. Przewód zasilający
9. Przyłtęcze wody
10. Otwór przewodu odprowadzającego
11. Nóżki
12. Ostona otworu odprowadzającego



## Panel sterowania



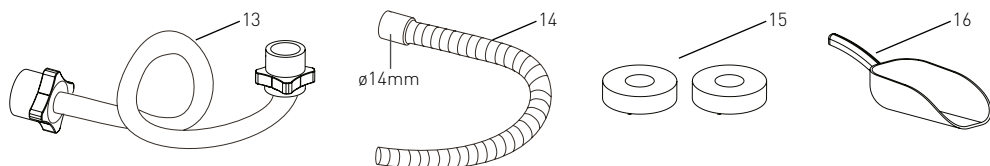
A). ❄️ : Lampka sygnalizująca pracę urządzenia (zielona).

B). ⚠️ : Lampka sygnalizująca błąd (czerwona).

C). 🏠 : Lampka sygnalizująca zapewnienie pojemnika (żółta)

D). 💧 : Lampka sygnalizująca niski poziom wody (żółta)

## Akcesoria



13. Przewód doprowadzania wody

14. Przewód odprowadzania wody

15. Dodatkowe podkładki uszczelniające x 2

16. Łopatka do lodu

## Montaż urządzenia

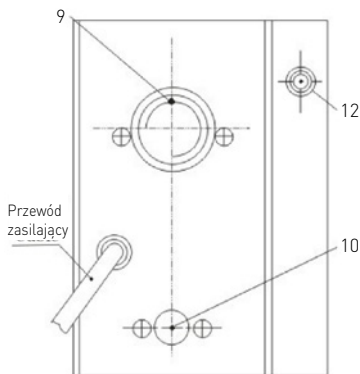
**Ostrzeżenie:** Wszelkie czynności montażowe, konserwacyjne oraz naprawa urządzenia powinny być przeprowadzane wyłącznie przez wykwalifikowanych, upoważnionych techników.

- Sprawdź urządzenie pod kątem kompletności oraz ewentualnych uszkodzeń. W przypadku niekompletnej dostawy lub uszkodzeń, NIE korzystaj z urządzenia i niezwłocznie skontaktuj się z dostawcą.
- Sprawdź, czy do urządzenia dołączone zostały wszystkie akcesoria, tj. przewody doprowadzania i odprowadzania wody, 2 dodatkowe podkładki uszczelniające i łopatka do lodu.
- Zdejmij wszelkie elementy opakowania i folię ochronną (jeśli dotyczy).
- Ustaw urządzenie na poziomej, stabilnej i zabezpieczonej powierzchni, która może unieść ciężar urządzenia, uwzględniając ciężar wytworzonych kostek lodu.
- Unikaj wystawiania urządzenia na bezpośrednie działanie promieni słonecznych oraz nie stawiaj w pobliżu źródła ciepła np. kuchenki, piekarnika itp.
- Upewnij się, czy wokół urządzenia została zachowana 15 cm wolna przestrzeń umożliwiająca prawidłową wentylację.
- Umieść urządzenie w miejscu, w którym zapewniony będzie łatwy dostęp do wtyczki, co umożliwi szybkie odłączenie z gniazdka w razie potrzeby.
- Ustaw urządzenie w pobliżu przyłącza wody.

## Podłączenie do przyłącza wody

**Ostrzeżenie:** Urządzenie należy podłączyć wyłącznie do przyłącza zimnej wody pitnej. W przeciwnym razie przed uruchomieniem urządzenia należy zamontować system oczyszczający wodę lub filtr.

- Podłącz jedną końcówkę przewodu przyłącza wody (13) do złącza śrubowego 3/4" wody, w celu podłączenia dopływu wody pitnej. Następnie podłącz drugą końcówkę przewodu z tyłu urządzenia (9), dokręcając ją zgodnie z ruchem wskazówek zegara. Przed podłączeniem umieść podkładki uszczelniające (15) po obu stronach przewodu.
- Następnie podłącz przewód odprowadzania wody (14) do otworu odprowadzania wody znajdującego z tyłu urządzenia (10) za pomocą gumowego pierścienia. Podłącz drugi koniec przewodu do odpływu do kanalizacji/zbiornika na wodę. Odpływ do kanalizacji/zbiornik na wodę musi być umieszczony niżej niż urządzenie, tak by woda mogła swobodnie spływać.



**Uwaga:** Zakres ciśnienia wody na wlocie: 1- 8 kg/cm<sup>2</sup>. Jeśli ciśnienie wody jest wyższe, należy zamontować reduktor ciśnienia.

## Eksplatacja

- Przed pierwszym użyciem urządzenia, wyczyść jego wewnętrzne i zewnętrzne powierzchnie miękką szmatką zwilżoną w letniej wodzie.
- Ustaw urządzenie w dobrze wentylowanym miejscu, pozostawiając co najmniej 150 mm przestrzeni wokół urządzenia w celach wentylacyjnych.
- Pozostaw urządzenie na ok. godzinę w celu prawidłowego rozprowadzenia i ustabilizowania czynnika chłodniczego. Upewnij się, czy urządzenie zostało prawidłowo podłączone do instalacji doprowadzania wody.
- Następnie podłącz urządzenie do odpowiedniego gniazdka sieciowego.
- Wciśnij przetącznik ON / OFF (1) znajdujący się na panelu sterowania, aby włączyć urządzenie.
- Urządzenie automatycznie pobierze wodę w celu czyszczenia elementów wewnętrznych, a następnie woda zostanie odprowadzona. Zapalą się 3 lampki sygnalizujące "❄️", "⚠️" i "💧" i będą migać przez ok. 30 sekund.
- Przetącznik ON / OFF (1) zostanie podświetlony na zielono. Urządzenie rozpocznie pracę.
- Proces wytwarzania kostek lodu jest całkowicie automatyczny i obejmuje przedstawione poniżej etapy: Pobranie wody = > wytwarzanie kostek

lodu = > wyrzut kostek lodu = > przechowanie kostek lodu.

- Przesuń drzwi (4) i za pomocą łopaty (16) wyjmij lód.
- Gdy pojemnik na lód się zapelni, lampka sygnalizacyjna "❄️" zapali się na żółto i urządzenie automatycznie przerwie pracę.
- Po wyjęciu kostek lodu, urządzenie automatycznie wznowi ich wytwarzanie.
- **Uwaga:** Ze względów higienicznych, wyrzuć kostki lodu wytworzone w pierwszym cyklu po każdym uruchomieniu urządzenia. Nie używaj ich do schładzania napojów lub żywności.
- Jeśli doprowadzana ilość wody jest niewystarczająca, lampka sygnalizacyjna "💧" zapali się na żółto i urządzenie automatycznie wstrzyma pracę. Sprawdź podłączenie wody (przewód) do urządzenia.
- W przypadku jakichkolwiek błędów lub usterek, lampka sygnalizacyjna "⚠️" zapali się na czerwono i urządzenie automatycznie wstrzyma pracę.
- W przypadku niekorzystania z urządzenia, wytnij je wciskając przetącznik ON / OFF (1) i odłącz od źródła zasilania.

#### Uwaga:

- NIE WŁĄCZAJ ponownie urządzenia od razu po jego automatycznym wyłączeniu (ze względu na niewystarczający pobór wody, zapętnienie pojemnika na lód lub przerwę w zasilaniu). Przed ponownym uruchomieniem odczekaj ok. 3-5 minut, aby nie uszkodzić sprężarki.
- Regularnie sprawdzaj podłączenie węża odpro-

wadzającego i doprowadzającego wodę pod kątem ewentualnych wycieków lub rozlanej wody.

- Jeśli urządzenie nie jest eksploatowane przez dłuższy czas, odkręć osłonę otworu odprowadzania wody [12] znajdującego się z tyłu urządzenia. Wytrzyj zbiornik na wodę za pomocą suchej, czystej ściereczki.

---

### Czyszczenie i konserwacja

**Ostrzeżenie:** Przed rozpoczęciem czyszczenia, naprawy lub konserwacji zawsze wyłącz urządzenie z gniazdka i odczekaj, aż ostygnie. Wszelkie czynności montażowe, konserwacyjne oraz naprawa urządzenia powinny być przeprowadzane przez wyłączenie przez wykwalifikowanych, upoważnionych techników.

#### Czyszczenie

- Umyj urządzenie po każdym użyciu i po dłuższym okresie wyłączenia z eksploatacji.
- Powierzchnie wewnętrzne i zewnętrzne urządzenia można czyścić przy pomocy wilgotnej ściereczki z niewielką ilością detergentu.
- Do czyszczenia urządzenia nie używaj bezpośredniego strumienia wody, myjki parowej, ani nie zanurzaj całego urządzenia w wodzie.

- Skraplacz czyść co 2 - 3 miesiące.
- Do czyszczenia używaj wyłączenie miękkiej ściereczki - nigdy nie czyść urządzenia detergentami zawierającymi środki ścierne lub ściernymi myjkami ze względu na ryzyko uszkodzenia powierzchni.
- Po umyciu, wytrzyj i wypoleruj powierzchnię urządzenia miękką i suchą szmatką.


#### Konserwacja

- Okresowo sprawdzaj przewód zasilający pod kątem uszkodzeń, aby nie dopuścić do porażenia prądem. Nigdy nie korzystaj z urządzenia, jeśli przewód zasilający jest uszkodzony. Uszkodzony przewód powinien zostać niezwłocznie wymieniony przez wykwalifikowanego i autoryzowanego technika.

- Urządzenie powinno być naprawiane i konserwowane wyłącznie przez wykwalifikowanych techników z wykorzystaniem oryginalnych części zamiennych i akcesoriów. NIE próbuj samodzielnie naprawiać urządzenia.

## Rozwiązywanie problemów

Jeśli urządzenie nie działa prawidłowo, zapoznaj się z poniższą tabelą w celu znalezienia prawidłowego rozwiązania. Jeśli nadal nie możesz rozwiązać problemu, skontaktuj się z dostawcą.

Problem	Możliwa przyczyna	Możliwe rozwiązanie
Urządzenie nie działa.	<ul style="list-style-type: none"><li>• Urządzenie jest wyłączone.</li><li>• Wtyczka nie jest prawidłowo podłączona do gniazdka sieciowego.</li></ul>	<ul style="list-style-type: none"><li>• Włącz urządzenie.</li><li>• Sprawdź, czy wtyczka jest prawidłowo podłączona do gniazdka sieciowego.</li></ul>
Sprężarka nie działa.	<ul style="list-style-type: none"><li>• Niewystarczająca ilość pobieranej wody.</li><li>• Pojemnik jest zapełniony kostkami lodu.</li></ul>	<ul style="list-style-type: none"><li>• Sprawdź podłączenie instalacji doprowadzania wody. Jeśli podłączenie jest prawidłowe, zresetuj urządzenie.</li><li>• Wyjmij część lodu z pojemnika.</li></ul>
Sprężarka pracuje, jednak urządzenie nie wytwarza kostek lodu.	<ul style="list-style-type: none"><li>• Wyciek czynnika chłodniczego.</li><li>• System chłodzący jest zablokowany.</li></ul>	<ul style="list-style-type: none"><li>• Skontaktuj się z dostawcą.</li></ul>
 Zapalona lampka sygnalizacyjna.	<ul style="list-style-type: none"><li>• Water shortage from the water supply system.</li><li>• Water valve is damaged.</li><li>• Tap water pressure is too slow.</li></ul>	<ul style="list-style-type: none"><li>• Sprawdź podłączenie instalacji doprowadzania wody. Jeśli podłączenie jest prawidłowe, zresetuj urządzenie.</li><li>• Skontaktuj się z dostawcą w celu wymiany zaworu wody.</li><li>• Upewnij się, czy ciśnienie pobieranej wody wynosi co najmniej 1kg/cm<sup>2</sup>.</li></ul>

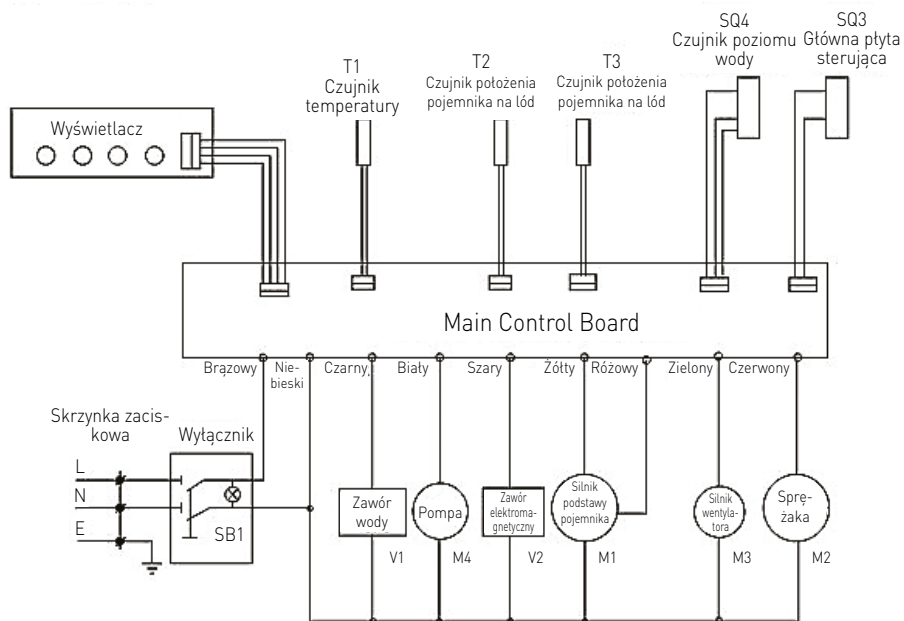
PL

## Specyfikacja techniczna

Nr produktu	271773	271780
Napięcie robocze i częstotliwość	220-240V- 50/60Hz	
Znamionowy pobór mocy	210W	280W
Prąd znamionowy	1,4A	1,5A
Czynnik chłodniczy / ilość wtryskiwanego czynnika	R290 / 65g	R290 / 85g
Klasa klimatyczna	N (16°C do 32°C)	
Klasa ochronności	Klasa I	
Poziom hałasu	< 60 dB (A)	
Pojemność zbiornika na lód	26 kg / 24 godzin	50 kg / 24 godzin
Zbiornik na lód	7 kg	
Waga netto (ok.)	31 kg	33 kg
Wymiary	398 x 546 x (H) 682 mm	

**Uwaga:** Specyfikacja techniczna może ulec zmianie bez uprzedzenia.

## Schemat elektryczny [Nr produktu: 271773, 271780]



## Gwarancja

Każda usterka powodująca złe funkcjonowanie urządzenia, która ujawni się w ciągu jednego roku od zakupu, zostanie bezpłatnie usunięta lub urządzenie zostanie wymienione na inne, pod warunkiem, że było użytkowane i konserwowane zgodnie z instrukcją obsługi i nie było wykorzystywane do innych celów lub w jakikolwiek inny niewłaściwy sposób. Nie narusza to innych praw użytkownika, wynikających z przepisów prawa. W przypadku ko-

rzystania z gwarancji, należy podać miejsce i czas zakupu urządzenia, dotychczasając do niego dowód zakupu (np. paragon).

Zgodnie z naszą polityką ciągłego udoskonalania produktów zastrzegamy sobie prawo do wprowadzania zmian w produkcji, opakowaniu oraz specyfikacjach zawartych w dokumentacji bez uprzedniego powiadomienia.

## Wycofanie z użytkowania i ochrona środowiska

### Pamiętaj!

**Nie wyrzucaj zużytego sprzętu łącznie z innymi odpadami**

**Nie demontuj zużytych urządzeń zawierających niebezpieczne składniki na własną rękę!**

**Grożą Ci za to kary grzywny!**

Po zakończeniu eksploatacji produktu nie wolno gromadzić razem z odpadami komunalnymi, tylko należy odstawić do punktu odbioru odpadów elektrycznych i elektronicznych. Użytkownik ponosi odpowiedzialność za przekazanie wycofanego z użytkowania urządzenia do punktu gospodarowania odpadami. Nieprzestrzeganie tej zasady może być karane zgodnie z lokalnie obowiązującymi przepisami dotyczącymi gospodarowania odpadami. Jeśli urządzenie wycofane z użytkowania jest poprawnie odebrane jako osobny odpad, może zostać przetworzone i zutylicowane w sposób przyjazny dla środowiska, co zmniejsza negatywny wpływ na środowisko i zdrowie ludzi. Aby uzyskać więcej informacji dotyczących dostępnych usług w zakresie odbioru odpadów, należy skontaktować się z lokalną firmą odbierającą odpady.



**Symbol przekreślonego kosza na śmieci oznacza, że tego produktu nie wolno wyrzucać do zwykłych pojemników na odpady.**

Zużyte urządzenia elektryczne i elektroniczne mogą zawierać niebezpieczne składniki np. rtęć, ołów, kadm lub freon. Jeśli tego typu substancje przedostaną się w sposób niekontrolowany do środowiska, spowodują skażenie wody i gleby, a także wpłyną niekorzystnie na zdrowie ludzi i zwierząt.

Właściwe postępowanie ze zużytym sprzętem zapobiega potencjalnym negatywnym konsekwencjom dla środowiska naturalnego i ludzkiego zdrowia.

Jednocześnie oszczędzamy naturalne zasoby naszej Ziemi wykorzystując powtórnie surowce używane do przetwarzania sprzętu.

Cher client,

Merci d'avoir acheté cet appareil de Arktic. Veuillez lire attentivement ce mode d'emploi avant de brancher l'appareil afin d'éviter tout endommagement pour cause d'usage abusif. Veuillez notamment lire les consignes de sécurité avec la plus grande attention.

## Règles de sécurité

- Cet appareil est conçu pour une utilisation domestique et dans les endroits suivants :
  - 1) les cuisines pour les employés des magasins, des bureaux et dans d'autres lieux de travail ;
  - 2) les foyers et les cuisines destinés pour être utilisés par les clients d'hôtel, de motels et dans autres zones de résidence ;
  - 3) l'hôtel du type „bed and breakfast ;
  - 4) les établissements qui offrent les services gastronomiques et les firmes similaires qui s'occupent de vente de gros.
- Cet appareil est conçu exclusivement à des fins commerciales et non pour un usage domestique.
- L'appareil doit être utilisé uniquement pour le but il a été conçu. Le fabricant décline toute responsabilité en cas de dommage consécutif à un usage abusif ou un maniement incorrect.
- Veillez à tenir l'appareil et la prise électrique hors de portée de l'eau ou de tout autre liquide. Si malencontreusement l'appareil tombe dans l'eau, débranchez immédiatement la prise électrique et faites contrôler l'appareil par un réparateur agréé. La non-observation de cette consigne entraîne un risque d'accident mortel.
- Ne tentez jamais de démonter vous-même le bâti de l'appareil.
- N'enfoncez aucun objet dans la carcasse de l'appareil.
- Ne touchez pas la prise avec les mains mouillées ou humides.
- **Risque d'électrocution!** Ne tentez jamais de réparer l'appareil. Tous défauts et dysfonctionnement doivent être supprimés par le personnel qualifié.
- **N'utilisez jamais l'appareil endommagé!** Débranchez l'appareil endommagé de l'alimentation électrique et contactez votre revendeur.
- **Avertissement:** N'immergez pas les pièces électriques de l'appareil dans l'eau ou dans d'autres liquides. Ne mettez pas l'appareil sous l'eau courante.
- Vérifiez régulièrement la fiche et le câble d'alimentation pour les dommages. La fiche ou le câble d'alimentation endommagé(e) transmettre pour la réparation au service ou à une personne qualifiée, pour prévenir tous les menaces ou les blessures possibles.
- Assurez-vous que le câble d'alimentation n'est pas en contact avec les objets pointus ou chauds ; gardez le câble loin des flammes nues. Pour retirer la fiche de la prise murale, tirez toujours en tenant la fiche et non le câble d'alimentation.
- Protégez le câble d'alimentation (ou la rallonge) contre le débranchement accidentel de la prise murale. Le câble doit être posé de manière ne provoquant pas les chutes accidentelles.

FR

- Surveillez en permanence l'appareil pendant l'utilisation.
- Avertissement ! Si la fiche est insérée dans la prise murale, l'appareil doit être considéré comme branché à l'alimentation.
- Avant de retirer la fiche de la prise, éteignez l'appareil !
- Ne transportez jamais l'appareil en tenant le câble.
- N'utilisez aucuns accessoires qui n'ont pas été fournis avec l'appareil.
- L'appareil doit être branché à la prise murale avec une tension et la fréquence indiquées sur la plaque signalétique.
- Insérez la fiche à la prise murale située dans un endroit facilement accessible de sorte qu'en cas de panne l'appareil puisse être immédiatement déconnecté. Pour éteindre complètement l'appareil, débranchez-le de la source d'alimentation. Pour cela, retirez la fiche à l'extrémité du câble d'alimentation de la prise murale.
- Eteignez l'appareil avant de débrancher l'appareil de la prise!
- N'utilisez jamais les accessoires non recommandés par le fabricant. L'utilisation des accessoires non recommandés peut présenter des risques pour l'utilisateur et provoquer les dommages à l'appareil. Utilisez uniquement des pièces et accessoires originaux.
- Cet appareil n'est pas apte à être utilisé par des personnes (enfants compris) avec capacités physiques, sensorielles ou intellectuelles diminuées ou ne possédant pas l'expérience et les connaissances suffisantes.
- Ne laissez jamais les enfants utiliser l'appareil.
- L'appareil et le câble d'alimentation doivent être stockés hors de la portée des enfants.
- Ne permettez pas aux enfants d'utiliser l'appareil pour jouer
- Débranchez toujours l'appareil de l'alimentation s'il doit être laissé sans surveillance et également avant le montage, le démontage et le nettoyage.
- Ne laissez jamais l'appareil sans surveillance lorsqu'il est utilisé.

FR

---

## Règlementations spéciales de sécurité

- L'appareil est destiné uniquement à la fabrication des glaçons. L'utilisation de l'appareil à d'autres fins peut entraîner les dommages ou les blessures.
- Utilisez l'appareil uniquement conformément aux présentes instructions.



**Attention ! Risque d'incendie !** Dans l'appareil est utilisé le réfrigérant R290. C'est un réfrigérant inflammable respectueux de l'environnement. Bien qu'il soit inflammable, il n'est pas dangereux pour la couche d'ozone et il n'affecte pas l'effet de serre. Cependant, l'utilisation de ce réfrigérant provoque une légère augmentation du niveau de bruit produit par l'appareil. En outre du bruit généré par le compresseur, l'utilisateur peut entendre un bruit provoqué par le flux de réfrigérant. Le phénomène décrit ci-dessus est inévitable mais il ne provoque aucun impact négatif sur le fonctionnement de l'appareil. Pendant le transport et l'installation de l'appareil, il faut garder des précautions particulières pour ne pas endommager les pièces du système de réfrigération. La fuite du réfrigérant peut causer les lésions oculaires.

- Ne placez pas l'appareil sur un objet émettant de la chaleur (cuisinière à gaz, cuisinière



électrique, barbecue, etc.). Gardez l'appareil à l'écart de toute surface chaude ou des flammes nues. L'appareil doit être installé et utilisé sur une surface plane, stable, propre et sèche, résistant aux températures élevées.

- L'appareil n'est pas conçu pour être utilisé avec une minuterie externe ou un système de télécommande séparé.
- **AVERTISSEMENT** : Ne couvrez pas les ouvertures de ventilation sur le boîtier.
- **AVERTISSEMENT** : N'utilisez pas d'appareils mécaniques ou d'outils autres que ceux recommandés par le fabricant pour accélérer le processus de dégivrage.
- **AVERTISSEMENT** : Faites attention à ne pas endommager le circuit du réfrigérant.
- **AVERTISSEMENT**: Branchez uniquement à une source d'eau portable.
- Ne stockez pas des substances explosives, telles que les aérosols avec des gaz inflammables qui se trouvent dans l'appareil.
- Assurez au moins 15 centimètres d'espace autour de l'appareil pour garantir une ventilation adéquate pendant l'utilisation.
- Ne frappez pas à l'extérieur du surface de l'appareil avec les outils durs. Ne nettoyez pas l'appareil avec un jet d'eau sous pressions, ni à l'aide d'un nettoyeur vapeur, ne rincez pas l'appareil avec l'eau parce que cela provoque l'humidité des pièces à l'intérieur de l'appareil ce qui peut entraîner un choc électrique.
- Protégez du soleil. Évitez les chocs mécaniques et les vibrations de l'appareil.
- Pour éviter l'endommagement de l'appareil, déplacez et transportez-le toujours en position verticale.
- Attention ! Faites passer et fixez correctement le câble d'alimentation pour éviter une traction accidentelle ou un contact avec la surface chauffée.
- Ne nettoyez pas et ne placez pas l'appareil dans un lieu de stockage jusqu'à ce qu'il ne soit pas complètement refroidi.
- Les pièces de l'appareil ne peuvent pas être nettoyées dans la lave-vaisselle.

FR

---

### **Destination de l'appareil**

- L'appareil est destiné à l'utilisation domestique ou pour un but similaire.
- L'appareil est destiné uniquement à la fabrication des glaçons. L'utilisation de l'appareil à d'autres fins peut entraîner des dommages ou des blessures.
- L'utilisation de l'appareil à d'autres fins sera considérée comme une utilisation inappropriée. L'utilisateur sera seul responsable de l'utilisation incorrecte de l'appareil.

---

### **Mise à la terre**

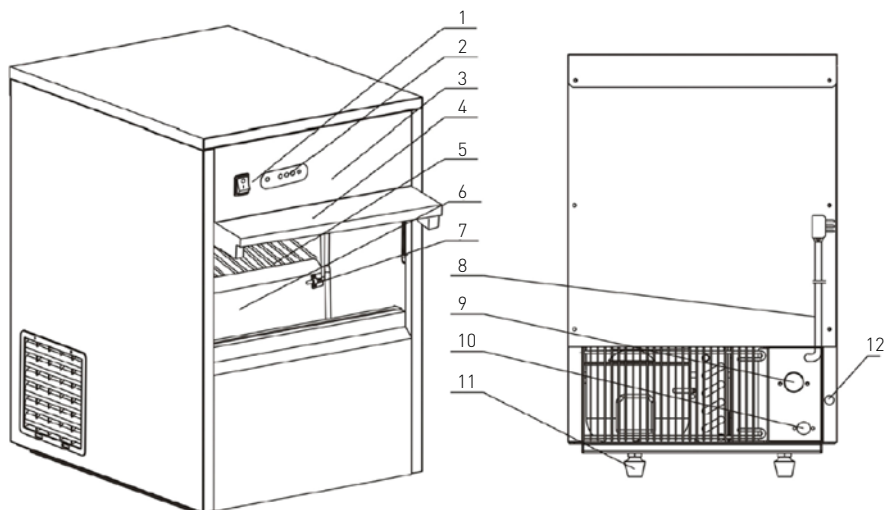
La cuisinière est un appareil de la Ière classe de protection et doit être obligatoirement mis à la terre. La mise à la terre réduit le risque de choc électrique grâce à un conduit évacuant le courant

électrique. L'appareil est équipé d'un conduit avec la mise à la terre et la prise de terre. N'insérez pas la fiche à la prise murale si l'appareil n'a pas été correctement installé et mis à la terre.

## Avant la première utilisation

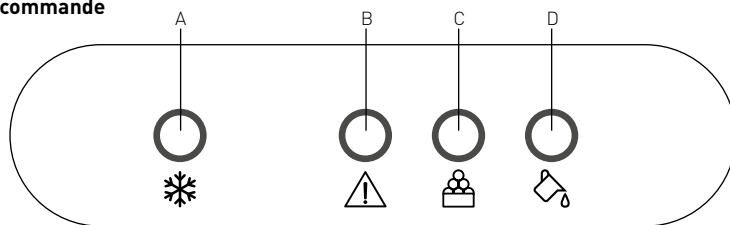
- Vérifiez si l'appareil n'est pas endommagé. En cas de toute défaillance, contactez immédiatement le fournisseur et NE DÉMARREZ PAS l'appareil.
- Retirez le matériel de l'emballage et le film de protection (le cas échéant).
- Essayez l'appareil avec un chiffon doux trempé d'eau tiède.
- Sauf indication contraire, placez l'appareil sur une surface plane et stable.
- Assurez-vous qu'il y a suffisamment d'espace autour de l'appareil pour assurer une ventilation adéquate.
- Placez l'appareil de sorte que vous ayez toujours un bon accès à la prise.
- Assurez-vous que l'appareil est équipé d'un panier à glaçons et d'une pelle à glaçons. À défaut, contactez immédiatement le fournisseur.
- Essayez l'intérieur de l'appareil avec un chiffon doux trempé d'eau tiède.
- Nettoyez le panier à glaçons.
- N'exposez pas l'appareil au soleil et ne le placez pas près d'une source de chaleur.
- N'utilisez pas l'appareil pendant les 24 heures à compter du jour de sa livraison ou de son déplacement.

## Les principales pièces de l'appareil



1. Bouton ON/OFF avec voyant intégré (vert)
2. Écran avec les voyants intégrés de diverses fonctions
3. Panneau avant
4. Porte coulissante
5. Bac à glaçons
6. Panier à glaçons
7. Indicateur que le panier à glaçon est plein
8. Câble d'alimentation
9. Raccordement d'eau
10. Ouverture du tuyau d'évacuation
11. Pieds
12. Couvercle du tuyau d'évacuation

## Panneau de commande



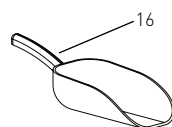
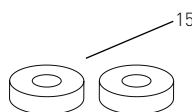
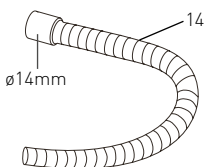
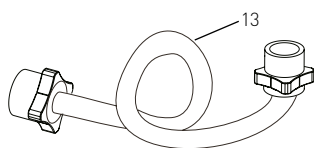
A). ❄️ : Voyant qui signale le fonctionnement de l'appareil (vert).

B). ⚠️ : Voyant qui signale une erreur (rouge).

C). 🧊 : Voyant qui signale que le panier à glaçons est plein (jaune)

D). 💧 : Voyant qui signale un bas niveau d'eau (jaune)

## Accessoires



13. Tuyau d'alimentation en eau

14. Tuyau d'évacuation

15. Rondelles d'étanchéité supplémentaires x 2

16. Pelle à glaçons

## Installation de l'appareil

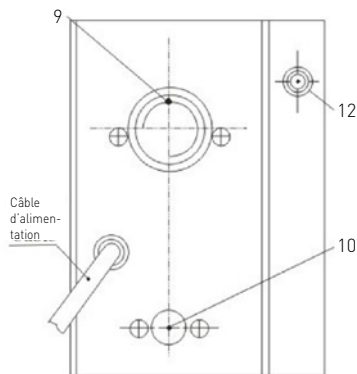
**Avertissement:** Tous les travaux d'installation, de maintenance et de réparation de l'appareil doivent être effectués uniquement par des techniciens qualifiés et autorisés.

- Vérifiez l'appareil s'il est complet et s'il n'y a pas d'endommagements éventuels. En cas d'une livraison incomplète ou d'endommagements, N'UTILISEZ PAS l'appareil et contactez immédiatement votre fournisseur.
- Vérifiez, si l'appareil est muni de toutes les accessoires dont les tuyaux d'alimentation en eau et tuyau d'évacuation, 2 rondelles d'étanchéité supplémentaires et une pelle à glaçons.
- Retirez l'ensemble de l'emballage et le film de protection ( le cas échéant).
- Placez l'appareil sur une surface horizontale, stable et protégé qui peut porter le poids de l'appareil avec le poids des glaçons produits.
- Évitez l'exposition de l'appareil au soleil et ne le placez pas près d'une source de chaleur comme par exemple la cuisinière, le four, etc.
- Assurez-vous qu'il y a un espace libre de 15 cm autour de l'appareil pour assurer une ventilation adéquate.
- Placez l'appareil de sorte que vous ayez toujours un accès facile à la prise ce qui permettra un débranchement rapide de la prise si nécessaire.
- Placez l'appareil à proximité du raccordement d'eau.

## Branchement au raccordement d'eau

**Avertissement:** L'appareil ne peut être branché qu'au raccordement d'eau froide potable. À défaut, avant de démarrer l'appareil, il faut installer un système de purification d'eau ou un filtre.

- Branchez une extrémité du tuyau de raccordement d'eau (13) à un accord à vis 3/4" d'eau pour brancher l'alimentation en eau potable. Ensuite, branchez la deuxième extrémité de la conduite à l'arrière de l'appareil (9), en la serrant dans le sens des aiguilles d'une montre. Avant le branchement, placez les rondelles d'étanchéité (15) des deux côtés de la conduite.
- Ensuite, branchez le tuyau d'évacuation d'eau (14) au trou d'évacuation d'eau situé à l'arrière de l'appareil (10) à l'aide d'un anneau en caoutchouc. Branchez l'autre extrémité de la conduite au réseau d'égouts/réservoir d'eau. La conduite vers le réseau d'égouts/ réservoir d'eau doit être placée plus bas que l'appareil pour que l'eau puisse s'écouler librement.



**Attention:** La plage de pression d'entrée d'eau : 1 à 8 kg/cm<sup>2</sup>. Lorsque la pression d'eau est supérieure, il faut installer un réducteur de pression.

FR

## Exploitation

- Avant la première utilisation de l'appareil, nettoyez ses surfaces internes et externes avec un chiffon doux trempé d'eau tiède.
- Placez l'appareil dans un endroit bien ventilé en laissant au moins 150 mm d'espace autour de l'appareil pour la ventilation.
- Laissez l'appareil pendant environ une heure pour bien répartir et stabiliser le réfrigérant. Assurez-vous que l'appareil est correctement branché au système d'alimentation en eau.
- Ensuite, branchez l'appareil à une prise appropriée.
- Appuyez sur le bouton ON / OFF (1) qui se trouve sur le panneau de commande pour démarrer l'appareil.
- L'appareil prendra automatiquement l'eau pour nettoyer les éléments internes ensuite, l'eau sera évacuée. Les 3 voyantes de signalisation s'allumeront "❄️", "⚠️" et "💧" et ils vont clignoter pendant environ 30 secondes.
- Le bouton ON / OFF (1) s'allumera en vert. L'appareil se mettra en marche.
- Le processus de fabrication de glaçons est complètement automatique et comprend les étapes suivantes : Prendre l'eau == > production de glaçons == > éjection de glaçons == > stockage de glaçons.
- Poussez la porte (4) et à l'aide de pelle à glaçons (16) sortez les glaçons.
- Lorsque le panier à glaçons se remplira, le voyant "❄️" s'allumera en jaune et l'appareil arrêtera automatiquement le fonctionnement.
- Après la sortie des glaçons, l'appareil reprendra automatiquement leur fabrication.
- **Attention:** Pour des raisons d'hygiène, jetez les glaçons produits pendant le premier cycle après chaque mise en marche de l'appareil. Ne les utilisez pas pour refroidir des boissons ou des aliments.
- Lorsque la quantité d'eau fournie est insuffisante le voyant "💧" deviendra jaune et l'appareil arrêtera automatiquement le fonctionnement.
- En cas d'erreurs ou de défauts, le voyant "⚠️" s'allumera en rouge et l'appareil arrêtera automatiquement le fonctionnement.
- Lorsque vous n'utilisez pas l'appareil, éteignez-le en appuyant sur le bouton ON / OFF (1) et débranchez-le de la source d'alimentation.

#### Attention:

- NE RALLUMEZ PAS l'appareil immédiatement lorsqu'il s'est éteint automatiquement (en raison d'un volume d'eau prise insuffisante, remplissage de panier à glaçons ou d'une panne de courant). Patientez environ 3 à 5 minutes avant de le redémarrer, afin de ne pas endommager le compresseur.
- Vérifiez régulièrement le raccordement du tuyau d'évacuation d'eau et du tuyau d'eau pour détecter toute fuite ou tout déversement d'eau.
- Si vous n'utilisez pas l'appareil pendant une longue période, dévissez le couvercle du trou d'évacuation d'eau (12) situé à l'arrière de l'appareil. Essayez le réservoir d'eau avec un chiffon sec et propre.

---

### Nettoyage et entretien

**Avertissement:** Avant le nettoyage, la réparation ou la maintenance éteignez toujours l'appareil de la prise et laissez-le refroidir. Tous les travaux d'installation, de maintenance et de réparation de l'appareil doivent être effectués uniquement par des techniciens qualifiés et autorisés.

#### Nettoyage


- Nettoyez l'appareil après chaque utilisation et après une longue période d'arrêt.
- Les surfaces internes et externes de l'appareil peuvent être nettoyées à l'aide d'un chiffon humide trempé d'une petite quantité de produit nettoyant.
- N'utilisez pas de jet d'eau direct, de jet de vapeur, ne plongez pas l'appareil dans l'eau pour le nettoyer.
- Nettoyez le condenseur tous les 2 à 3 mois.
- Pour le nettoyage, utilisez uniquement un chiffon doux – ne nettoyez jamais l'appareil avec des produits contenant les nettoyants abrasifs ou avec le nettoyeur haute pression parce qu'ils risquent d'endommager la surface.
- Après le nettoyage, essuyez et faites briller la surface de l'appareil avec un chiffon doux et sec.

#### Maintenance

- Vérifiez régulièrement si le câble d'alimentation n'est pas endommagé pour éviter un choc électrique. N'utilisez jamais l'appareil si le câble d'alimentation est endommagé. Un câble endommagé doit être immédiatement remplacé par un technicien qualifié et autorisé.
- L'appareil devrait être réparé et maintenu uniquement par un personnel qualifié avec l'utilisation des pièces de rechange et des accessoires d'origine.

## Résolution des problèmes

Si l'appareil ne fonctionne pas correctement, reportez-vous au tableau ci-dessous pour y trouver une solution. Si vous n'arrivez toujours pas à résoudre le problème, contactez votre distributeur/fournisseur.

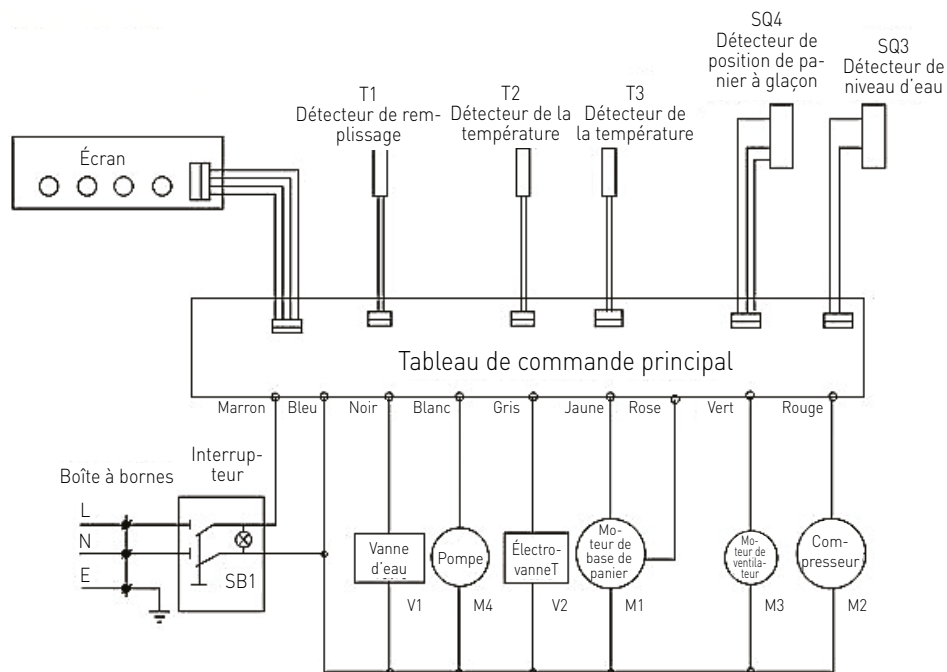
Problème	Cause possible	Solutions
L'appareil ne fonctionne pas.	<ul style="list-style-type: none"><li>• L'appareil est éteint.</li><li>• La fiche électrique n'est pas correctement branchée à la prise de courant</li></ul>	<ul style="list-style-type: none"><li>• Éteignez l'appareil.</li><li>• Vérifiez si la fiche électrique est correctement branchée à la prise de courant.</li></ul>
Le compresseur ne fonctionne pas.	<ul style="list-style-type: none"><li>• Le volume d'eaux prise est insuffisant.</li><li>• Le panier à glaçon est rempli.</li></ul>	<ul style="list-style-type: none"><li>• Vérifiez le raccordement du système d'alimentation en eau. Si la connexion est correcte, réinitialisez l'appareil.</li><li>• Sortez une partie de glaçons.</li></ul>
Le compresseur fonctionne, mais l'appareil ne produit pas de glaçons.	<ul style="list-style-type: none"><li>• La fuite de réfrigérant.</li><li>• Le système de refroidissement est bloqué.</li></ul>	<ul style="list-style-type: none"><li>• Contactez votre fournisseur.</li></ul>
 Un voyant allumé.	<ul style="list-style-type: none"><li>• Le volume d'eaux prise est insuffisant.</li><li>• La vanne d'eau est défectueuse.</li><li>• La pression de l'eau prise est trop basse.</li></ul>	<ul style="list-style-type: none"><li>• Vérifiez le raccordement du système d'alimentation en eau. Si la connexion est correcte, réinitialisez l'appareil.</li><li>• Contactez votre fournisseur pour remplacer la vanne d'eau.</li><li>• Assurez-vous si la pression de l'eau prise est au moins à 1kg/cm<sup>2</sup></li></ul>

## Caractéristiques techniques

Produit numéro	271773	271780
Tension et fréquence	220-240V- 50/60Hz	
Consommation d'énergie nominale	210W	280W
Courant nominal	1,4A	1,5A
Réfrigérant / quantité de réfrigérant	R290 / 65g	R290 / 85g
Classe climatique	N (16°C à 32°C)	
Classe de protection	Classe I	
Niveau sonore	< 60 dB (A)	
Contenu du panier à glaçon	26 kg / 24 heures	50 kg / 24 heures
Panier à glaçon	7 kg	
Poids net (env.)	31 kg	33 kg
Dimensions	398 x 546 x [hauteur] 682 mm	

**Remarque : Les caractéristiques techniques peuvent être modifiées sans préavis.**

## Schéma électrique (Produit 271773, 271780)



FR

### Garantie

Tout vice ou toute défaillance entraînant un dysfonctionnement de l'appareil qui se déclare dans les 12 mois suivant la date de l'achat sera éliminé à titre gratuit ou l'appareil sera remplacé par un appareil nouveau si le premier a été dûment exploité et entretenu conformément aux termes de la notice d'exploitation et s'il n'a pas été indûment exploité ou de manière non conforme à sa destination. La présente stipulation ne porte pas de préjudice aux autres droits de l'utilisateur prévus par les dispositions légales. Dans le cas où l'appareil est donné

à la réparation ou doit être remplacé dans le cadre de la garantie, il y a lieu de spécifier le lieu et la date de l'achat de l'appareil et produire un justificatif nécessaire (par ex. facture ou ticket de caisse).

Conformément à notre politique d'amélioration permanente de nos produits, nous nous réservons le droit d'introduire sans avertissement préalable des modifications à l'appareil, à l'emballage et aux caractéristiques techniques précisées dans la documentation.

### Élimination et protection de l'environnement

En cas de retrait du produit de l'exploitation l'appareil ne peut pas être jeté avec d'autres déchets ménagers. L'utilisateur est responsable de la remise de l'équipement au point de collecte approprié pour l'équipement usagé. Le non-respect des dispositions ci-dessus peut entraîner les pénalités conformément à la réglementation applicable en matière d'élimination des déchets. La collecte sélective et le recyclage des équipements usagés contribuent à la conservation des ressources na-

turelles et assurent un recyclage sans danger pour la santé et l'environnement. Pour plus d'informations sur les endroits de collecte des équipements usagés pour le recyclage, contactez la société de collecte des déchets locale. Le producteur et l'importateur ne sont pas responsables du recyclage et du traitement des déchets d'une manière respectueuse de l'environnement directement et dans le système public.

Gentile cliente,

grazie per aver acquistato questo apparecchio Arctic. Ti invitiamo a leggere queste istruzioni per l'uso con attenzione prima di collegare l'apparecchio al fine di evitare danni dovuti a uso improprio. Ti invitiamo inoltre a prestare particolare attenzione alle precauzioni di sicurezza.


## Precauzioni di sicurezza

- Questo dispositivo è destinato ad essere utilizzato in applicazioni domestiche e simili come:
  - 1) cucine per il personale in negozi, uffici e altri ambienti di lavoro;
  - 2) casa, cucine utilizzate da clienti in alberghi, motel e altri ambienti di tipo residenziale;
  - 3) alberghi tipo „bed and breakfast“;
  - 4) catering e applicazioni simili non al dettaglio.
- Questo dispositivo è destinato esclusivamente per uso commerciale e non può essere utilizzato per uso domestico.
- L'apparecchio può essere utilizzato solo per lo scopo per cui è stato concepito e progettato. Il produttore non è responsabile di eventuali danni provocati da uso scorretto ed improprio.
- Tenere l'apparecchio e la spina elettrica lontani da acqua ed altri liquidi. Nel caso improbabile che l'apparecchio cada in acqua, staccare immediatamente la spina dalla presa e fare ispezionare l'apparecchio da un tecnico certificato. L'inosservanza delle presenti istruzioni può dare luogo a situazioni pericolose
- Non provare mai ad aprire l'involucro dell'apparecchio da soli.
- Non inserire oggetti nell'involucro dell'apparecchio.
- Non toccare la presa con le mani bagnate o umide.
- **Pericoli di scosse elettriche!** Non tentare di riparare l'apparecchio da solo. Eventuali difetti e malfunzionamenti devono essere rimossi solo da personale qualificato.
- **Non usare l'apparecchio danneggiato!** L'apparecchio difettoso deve essere immediatamente scollegato dalla rete e contattare il rivenditore.
- **Attenzione:** Non immergere parti elettriche in acqua o altri liquidi. Non mettere l'apparecchio sotto l'acqua corrente.
- Controllare regolarmente se la spina e il cavo di alimentazione non sono danneggiati. La spina o il cavo danneggiati trasmettere al servizio o alla persona qualificare per riparare, per evitare eventuali pericoli e lesioni.
- Assicurarsi che il cavo di alimentazione non è in contatto con oggetti appuntiti o caldi. Tenere il cavo lontano da fiamme libere. Per scollegare la spina dalla presa, tirare sempre la spina, mai il cavo.
- Proteggere il cavo di alimentazione (o di estensione) per la sconnessione accidentale dalla presa. Disporre il cavo in modo per evitare lo slittamento accidentale.
- Sorvegliare l'apparecchio continuamente durante l'uso.
- **Attenzione!** Se la spina è inserita nella presa, l'apparecchio è considerato come collegato.
- Prima di rimuovere la spina dalla presa, spegnere l'apparecchio!



- Non trasportare l'apparecchio tenendo il cavo di alimentazione.
- Non utilizzare qualsiasi accessorio che non è stato fornito con l'apparecchio.
- L'apparecchio deve essere collegato ad una presa con tensione e frequenza indicate sulla targhetta.
- Inserire la spina nella presa situata in un punto facilmente accessibile in modo che in caso di guasto sia possibile scollegare immediatamente l'apparecchio. Per spegnere completamente l'apparecchio, scollegarlo dalla presa di corrente. Per questo staccare la spina che si trova sull'estremità del cavo di alimentazione.
- Prima di scollegare la spina, ricordarsi sempre di spegnere l'apparecchio!
- Non usare gli accessori non raccomandati dal produttore. L'uso di accessori non raccomandati può creare i rischi per l'utente e provocare i danni all'apparecchio. Usare unicamente solo pezzi ed accessori originali.
- L'installazione elettrica deve soddisfare le normative nazionali e locali applicabili. Questo apparecchio non è destinato all'uso da parte di persone (inclusi i bambini) con capacità fisiche, sensoriali o mentali ridotte, o senza esperienza e conoscenza.
- Non permettere ai bambini di utilizzare l'apparecchio.
- Tenere l'apparecchio con il cavo fuori dalla portata dei bambini.
- Non permettere ai bambini di giocare con l'apparecchio.
- Scollegare l'apparecchio dalla rete se esso deve essere lasciato incustodito e prima del montaggio, dello smontaggio o della pulizia.
- Non lasciare l'apparecchio incustodito durante l'utilizzazione.

## Norme di sicurezza speciali

- Questo dispositivo è destinato solo alla produzione di cubetti di ghiaccio. L'uso del dispositivo per qualsiasi altro scopo può causare danni o lesioni.
- Utilizzare il dispositivo solo in conformità con queste istruzioni.
-  **Attenzione! Pericolo di incendio!** Il refrigerante utilizzato nel dispositivo è R290. È un refrigerante infiammabile rispettoso dell'ambiente. Anche se il refrigerante è infiammabile, non è dannoso per lo strato di ozono e non ha alcun impatto sull'effetto serra. Però, l'uso di questo refrigerante provoca un leggero aumento del livello di rumore emesso dal dispositivo. Oltre al rumore generato dal compressore l'utente può sentire anche il rumore causato dal flusso di refrigerante. Il fenomeno sopra descritto non può essere evitato e non ha alcun effetto negativo sul funzionamento del dispositivo. Durante il trasporto e il posizionamento del dispositivo, si deve prestare particolare attenzione a non danneggiare alcuna parte del sistema di refrigerazione. La perdita di refrigerante può causare danni agli occhi.
- Non posizionare l'apparecchio su fonti di calore (fornello a gas, elettrico, grill ecc.). Evitare di tenere l'apparecchio vicino a fiamme libere. Il dispositivo deve trovarsi su una superficie piana, stabile, pulita, asciutta e resistente ad alte temperature.
- Il dispositivo non è progettato per essere utilizzato con timer esterno o telecomando separato.
- **AVVERTENZA:** Non coprire le aperture di ventilazione dell'apparecchio.

- **AVVERTENZA:** Non utilizzare dispositivi meccanici o strumenti diversi da quelli consigliati dal fabbricante per accelerare il processo di scongelamento.
- **AVVERTENZA:** Prestare attenzione a non danneggiare il circuito del refrigerante.
- **AVVERTENZA:** collegare solo a una fonte d'acqua portatile.
- Non conservare sostanze esplosive, come contenitori di aerosol, con gas infiammabile nel dispositivo.
- Mantenere uno spazio di almeno 15 centimetri attorno al dispositivo per garantire la ventilazione durante l'uso.
- Non colpire con gli strumenti duri nella superficie esterna del dispositivo. Non pulire il dispositivo con un getto d'acqua sotto pressione o un pulitore a vapore, non risciacquare il dispositivo con acqua per evitare qualsiasi l'inumidimento o l'umidità del dispositivo, e il rischio di scosse elettriche.
- Non esporre alla luce solare diretta. Evitare urti meccanici e vibrazioni.
- Spostare sempre o trasportare il dispositivo in posizione verticale per evitare qualsiasi danno.
- **Attenzione!** Far passare e proteggere il cavo di alimentazione per evitare di strappare accidentalmente o per evitare il contatto con la superficie riscaldata.
- Non pulire o posizionare il dispositivo in un luogo di conservazione se non si è completamente raffreddato.
- Le parti del dispositivo non possono essere lavati in lavastoviglie.

---

### Destinazione del dispositivo

- Questo dispositivo è destinato ad essere utilizzato in applicazioni domestiche e simili.
- Questo dispositivo è destinato solo alla produzione di cubetti di ghiaccio. L'uso del dispositivo per qualsiasi altro scopo può causare danni o lesioni.
- L'uso del dispositivo per qualsiasi altro scopo sarà considerato un uso improprio. L'utente sarà l'unico responsabile per l'uso scorretto del dispositivo.

---

### Messa a terra

Il fornello è l'apparecchio della I classe di protezione e deve essere messo a terra. La messa a terra riduce il rischio di scosse elettriche grazie al cavo evacuante il corrente elettrico. L'apparecchio è do-

tato di un cavo con una messa a terra. Non inserire la spina nella presa di corrente se l'apparecchio non è stato correttamente installato o messo a terra.

---

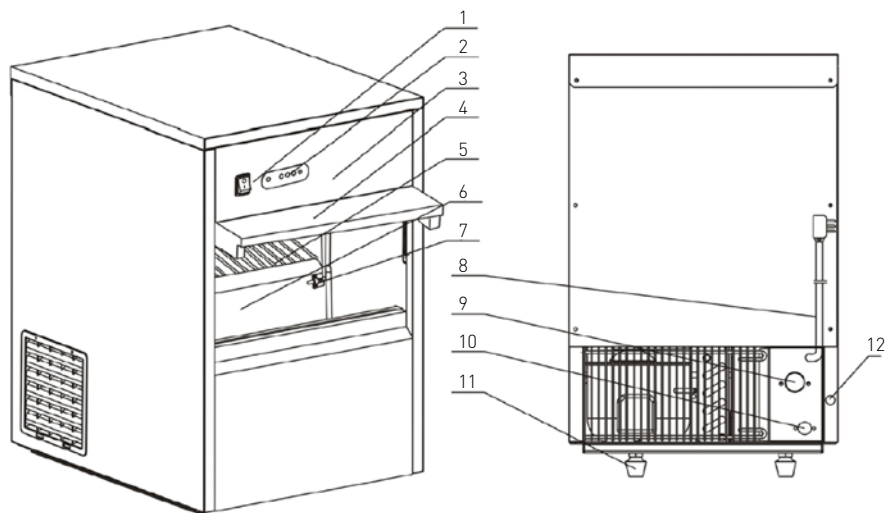
### Prima del primo uso

- Controllare il perfetto funzionamento del dispositivo. In caso di malfunzionamento, mettersi immediatamente in contatto con il proprio fornitore e NON usare, assolutamente, il dispositivo.
- Rimuovere il materiale d'imballaggio e l'eventuale pellicola protettiva.
- Pulire il dispositivo con acqua tiepida ed un soffice panno.
- Se non diversamente specificato, posizionare il dispositivo su una superficie piana e stabile.
- Lasciare ampio spazio libero intorno al dispositivo per garantire una ventilazione adeguata.
- Posizionare il dispositivo in modo da avere sempre un buon accesso alla spina.
- Assicurarsi che il dispositivo è dotato di un contenitore del ghiaccio e una paletta per il ghiaccio, in caso di mancanza contattare immediatamente il fornitore.
- Pulire il dispositivo all'interno con acqua tiepida ed un soffice panno.
- Pulire il contenitore del ghiaccio.

- Non esporre il dispositivo alla luce solare diretta o collocarlo vicino a una fonte di calore.

- Non utilizzare il dispositivo entro 24 ore dal giorno in cui è stato trasportato o spostato in un'altra posizione.

## Parti principali del dispositivo



1. Interruttore ON/OFF con una spia integrata (verde)

2. Display con le spie per diverse funzioni

3. Pannello frontale

4. Porta scorrevole

5. Ripiano per ghiaccio

6. Contenitore per il ghiaccio

7. Sensore di riempimento del contenitore per il ghiaccio

8. Cavo di alimentazione

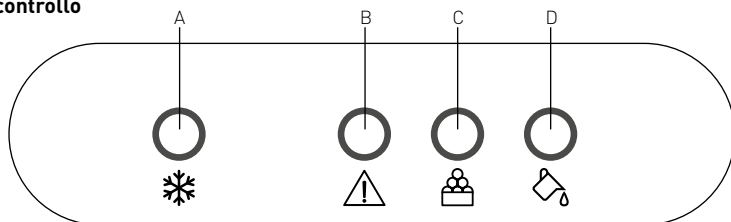
9. Connessione dell'acqua

10. Apertura del tubo di scarico

11. Piedini

12. Copertura dell'apertura di scarico

## Pannello di controllo



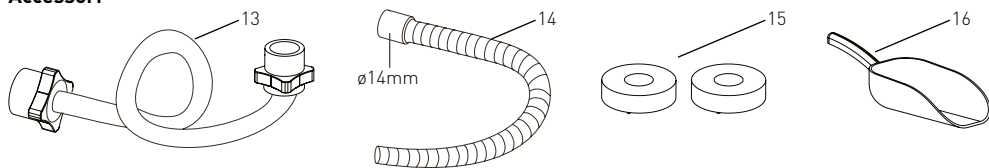
A). ❄️ : Spia di funzionamento del dispositivo (verde)

B). ⚠️ : Spia di errore (rossa)

C). 🧊 : Spia di riempimento del contenitore (gialla)

D). 💧 : Spia di basso livello dell'acqua (gialla)

## Accessori



13. Tubo di alimentazione dell'acqua

14. Tubo di scarico dell'acqua

15. Rondelle di tenuta supplementari x 2

16. Paletta per il ghiaccio

## Assemblaggio del dispositivo

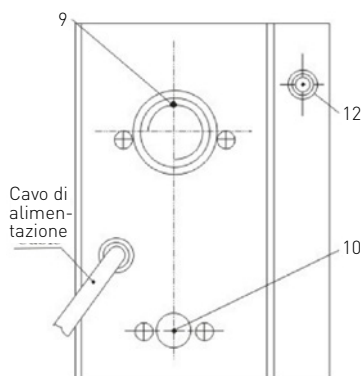
**Avvertenza:** tutti i lavori di installazione, manutenzione e riparazione devono essere eseguiti da tecnici qualificati e autorizzati.

- Controllare il perfetto funzionamento del dispositivo. In caso di malfunzionamento, mettersi immediatamente in contatto con il proprio fornitore e NON usare, assolutamente, il dispositivo.
- Controllare che tutti gli accessori, cioè i tubi di alimentazione e di scarico dell'acqua, 2 rondelle di tenuta supplementari e la paletta per il ghiaccio siano inclusi nel dispositivo.
- Rimuovere il materiale d'imballaggio e l'eventuale pellicola protettiva.
- Posizionare il dispositivo su una superficie orizzontale, stabile e sicura che possa sopportare il peso del dispositivo, tenendo conto del peso dei cubetti di ghiaccio.
- Evitare di esporre il dispositivo alla luce diretta del sole o posizionarlo vicino a una fonte di calore come un fornello, un forno, ecc.
- Assicurarsi che sia mantenuto uno spazio libero di 15 cm intorno al dispositivo per una corretta ventilazione.
- Collocare il dispositivo in un luogo in cui sia garantito un facile accesso alla spina, consentendo la disconnessione rapida dalla presa se necessario.
- Collocare il dispositivo vicino alla connessione dell'acqua.

## Collegamento alla connessione dell'acqua

**Avvertenza:** collegare il dispositivo solo a una presa dell'acqua potabile fredda. In caso contrario, è necessario installare un sistema di depurazione dell'acqua o un filtro prima di avviare il dispositivo.

- Collegare un'estremità del tubo di collegamento dell'acqua (13) al giunto a vite da 3/4" per collegare l'alimentazione di acqua potabile. Quindi collegare l'altra estremità del cavo al retro del dispositivo (9) serrandolo in senso orario. Prima del collegamento, posizionare le rondelle di tenuta (15) su entrambi i lati del cavo.
- Quindi collegare il tubo di scarico dell'acqua (14) all'apertura di scarico situata sul retro del dispositivo (10) utilizzando un anello di gomma. Collegare l'altra estremità del tubo di scarico alla fognatura/ al contenitore dell'acqua. Lo scarico della fognatura / del contenitore dell'acqua deve essere posizionato più in basso rispetto al dispositivo, in modo che l'acqua possa scorrere liberamente.



**Nota:** Intervallo di pressione dell'acqua in ingresso: 1- 8 kg/cm<sup>2</sup>. Se la pressione dell'acqua è superiore, è necessario installare un riduttore di pressione.

## Funzionamento

- Prima del primo uso pulire le superficie interne e esterne con acqua tiepida ed un soffice panno.
- Collocare il dispositivo in un'area ben ventilata, lasciando almeno 150 mm intorno al dispositivo per garantire la ventilazione adeguata.
- Lasciare il dispositivo per circa un'ora per distribuire e stabilizzare correttamente il refrigerante. Assicurarsi che il dispositivo sia correttamente collegato al sistema di alimentazione dell'acqua.
- Quindi collegare il dispositivo a una presa di corrente adeguata.
- Premere l'interruttore ON / OFF (1) sul pannello di controllo per accendere il dispositivo.
- Il dispositivo attirerà automaticamente l'acqua per pulire i componenti interni e quindi l'acqua si scaricherà. Tre spie si illumineranno "❄️", "⚠️" e "💧" e lampeggeranno per circa 30 secondi.
- L'interruttore ON / OFF (1) sarà illuminato in verde. Il dispositivo inizierà a funzionare.
- Il processo di produzione dei cubetti di ghiaccio è completamente automatico e include i seguenti passaggi: Prelievo di acqua = > produzione di cubetti di ghiaccio = > evacuazione dei cubetti di ghiaccio = > conservazione dei cubetti di ghiaccio.
- Far scorrere la porta (4) e rimuovere il ghiaccio con una spatola (16).
- Quando il contenitore del ghiaccio è pieno, la spia "💧" si illumina in giallo e il dispositivo si arresta automaticamente.
- Dopo aver rimosso i cubetti di ghiaccio, il dispositivo riprende automaticamente la produzione.

- **Nota:** per ragioni igieniche, smaltire i cubetti di ghiaccio prodotti nel primo ciclo dopo ogni avvio del dispositivo. Non usarli per raffreddare bevande o cibo.
- Se la quantità di acqua erogata è insufficiente, la spia "💧" si illuminerà in giallo e il dispositivo si arresta automaticamente. Controllare il collegamento dell'acqua (cavo) al dispositivo.
- In caso di qualsiasi errore o guasto la spia "⚠️" si illuminerà in rosso e il dispositivo si arresta automaticamente.
- Se non si utilizza il dispositivo, spegnerlo premendo l'interruttore ON / OFF (1) e scollegarlo dalla fonte di alimentazione.

### Nota:

- **NON ACCENDERE** di nuovo il dispositivo dopo l'arresto automatico (a causa di un consumo di acqua insufficiente, riempimento del contenitore del ghiaccio o interruzione dell'alimentazione elettrica). Attendere circa 3-5 minuti prima di riavviarlo, in modo da non danneggiare il compressore.
- Controllare regolarmente il collegamento del tubo di scarico e del tubo dell'acqua per eventuali perdite o versamenti d'acqua.
- Se il dispositivo non viene utilizzato per un lungo periodo, svitare il coperchio dell'apertura di scarico dell'acqua (12) sul retro del dispositivo. Pulire il contenitore dell'acqua con un panno asciutto e pulito.

## Pulizia e manutenzione

**Avvertenza:** prima di pulire, riparare o eseguire la manutenzione, spegnere sempre l'apparecchio e lasciarlo raffreddare. Tutti i lavori di installazione, manutenzione e riparazione devono essere eseguiti esclusivamente da tecnici qualificati e autorizzati.

### Pulizia


- Lavare il dispositivo dopo ogni utilizzo e dopo un periodo più lungo durante il quale non è utilizzato.
- Pulire la superficie interne e esterne del dispositivo con un panno umido o una spugna, con una piccola quantità di soluzione detergente delicata.
- Non utilizzare un getto d'acqua diretto, un getto di vapore o non immergere l'intero dispositivo in acqua per durante la pulizia.
- Pulire il condensatore ogni 2 - 3 mesi.
- Usare solo un panno morbido per la pulizia - non pulire mai il dispositivo con detersivi contenenti agenti abrasivi o con spugne abrasivi a causa del rischio di danneggiare la superficie.
- Dopo la pulizia, pulire e lucidare la superficie del dispositivo con un panno morbido e asciutto.

## Manutenzione

- Controllare periodicamente che il cavo di alimentazione non sia danneggiato per evitare scosse elettriche. Non utilizzare mai il dispositivo se il cavo di alimentazione è danneggiato. Un cavo danneggiato deve essere sostituito immediatamente da un tecnico qualificato e autorizzato.
- L'apparecchio deve essere riparato e mantenuto unicamente da tecnici qualificati e utilizzando pezzi di ricambio e accessori originali. NON provare a riparare l'apparecchio da soli.

## Risoluzione dei problemi

Se l'apparecchio non funziona correttamente, leggere la tabella qui sotto per trovare la soluzione corretta. Se non è possibile risolvere il problema, contattare il rivenditore.

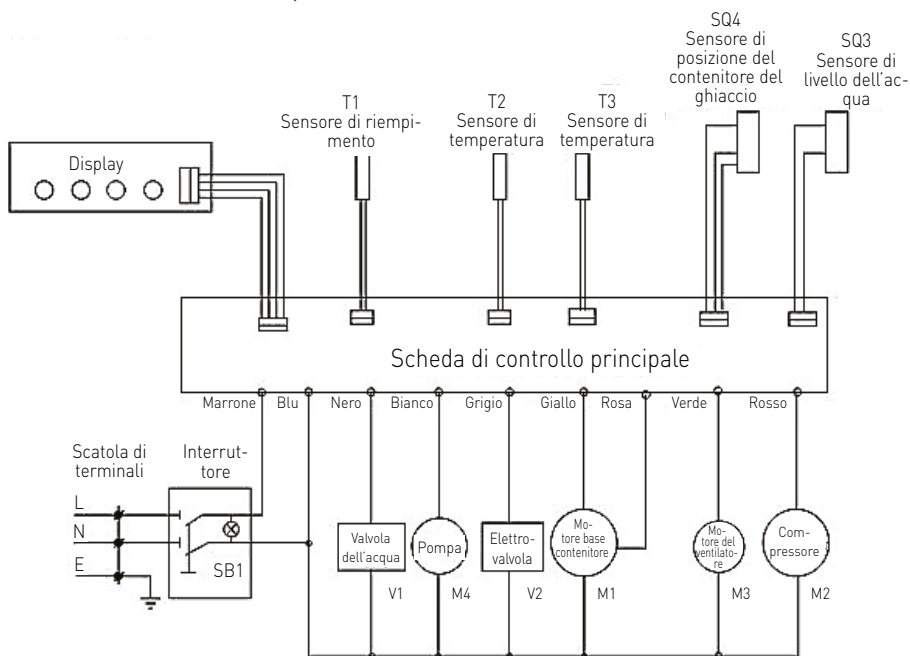
Problema	Causa possibile	Soluzione possibile
Il dispositivo non funziona.	<ul style="list-style-type: none"><li>• Il dispositivo è spento.</li><li>• La spina non è collegata correttamente alla presa di corrente.</li></ul>	<ul style="list-style-type: none"><li>• Accendere il dispositivo.</li><li>• Controllare che la spina sia correttamente collegata alla presa di corrente.</li></ul>
Il compressore non funziona.	<ul style="list-style-type: none"><li>• La quantità di acqua prelevata non è sufficiente.</li><li>• Il contenitore è pieno di cubetti di ghiaccio.</li></ul>	<ul style="list-style-type: none"><li>• Controllare il collegamento del sistema di alimentazione dell'acqua. Se la connessione è corretta, ripristinare il dispositivo.</li><li>• Ritirare una parte del ghiaccio dal contenitore.</li></ul>
Il compressore funziona, ma il dispositivo non produce i cubetti di ghiaccio.	<ul style="list-style-type: none"><li>• Perdita di refrigerante.</li><li>• Il sistema di raffreddamento è bloccato.</li></ul>	<ul style="list-style-type: none"><li>• Contattare il fornitore.</li></ul>
 La spia di controllo è illuminata	<ul style="list-style-type: none"><li>• La quantità di acqua prelevata non è sufficiente.</li><li>• Valvola dell'acqua difettosa.</li><li>• La pressione dell'acqua prelevata è troppo bassa.</li></ul>	<ul style="list-style-type: none"><li>• Controllare il collegamento del sistema di alimentazione dell'acqua. Se la connessione è corretta, ripristinare il dispositivo.</li><li>• Contattare il fornitore per sostituire la valvola dell'acqua</li><li>• Controllare se la pressione dell'acqua è almeno di 1kg/cm<sup>2</sup></li></ul>

## Specifiche tecniche

Prodotto numero	271773	271780
Tensione e frequenza	220-240V~ 50/60Hz	
Consumo di energia nominale	210W	280W
Corrente nominale	1,4A	1,5A
Refrigerante / quantità di refrigerante	R290 / 65g	R290 / 85g
Classe climatica	N (16°C to 32°C)	
Classe di protezione	Classe I	
Livello di rumore	< 60 dB (A)	
Capacità del contenitore del ghiaccio	26 kg / 24hr	50 kg / 24 hr
Contenitore di ghiaccio	7 kg	
Peso netto (circa):	31 kg	33 kg
Dimensioni	398 x 546 x (H) 682 mm	

**Nota:** Le specifiche tecniche sono soggette a modifiche senza preavviso.

## Schema elettrico (Prodotto 271773, 271780)



### Garanzia

Qualsiasi difetto che influenza la funzionalità del dispositivo che compaia entro un anno dall'acquisto sarà corretto a titolo interamente gratuito o con la sostituzione del prodotto che è stato utilizzato e sottoposto a manutenzione corretta seguendo le istruzioni, senza alcuna violazione. I diritti legali del cliente non sono assolutamente modificati. Nel caso in cui l'intervento di manutenzione o sostitu-

zione sia previsto nel periodo di validità della garanzia, precisare dove e quando si è acquistato il prodotto, possibilmente allegando lo scontrino.

In linea con la nostra politica di sviluppo continuo dei prodotti, ci riserviamo il diritto di modificare il prodotto, l'imballo e le specifiche di documentazione, senza notifica alcuna.

### Smaltimento e protezione dell'ambiente

In caso di ritiro dell'apparecchiatura dal funzionamento il prodotto non può essere smaltito con altri rifiuti domestici. L'utente è responsabile della consegna dell'attrezzatura al punto di raccolta appropriato per l'attrezzatura usata. Il mancato rispetto delle disposizioni sopramenzionate può comportare l'imposizione di sanzioni in conformità con le normative vigenti in materia di smaltimento dei rifiuti. La raccolta e il riciclaggio selettivi di attrezzature usate contribuiscono alla conserva-

zione delle risorse naturali e garantiscono il riciclaggio in modo tale da non nuocere alla salute e all'ambiente. Per ulteriori informazioni sui luoghi di smaltimento delle apparecchiature usate per il riciclaggio, contattare la società locale di raccolta dei rifiuti. Il produttore e l'importatore non sono responsabili per il riciclaggio e il trattamento dei rifiuti in modo ecologico, sia direttamente che nel quadro del sistema pubblico.

Stimate client,

Vă mulțumim pentru achiziționarea acestui aparat Arctic. Vă rugăm să citiți cu atenția acest manual înainte de a conecta aparatul pentru evitarea defectării ca urmare a utilizării incorecte. Acordați o atenție deosebită regulilor de siguranță.


## Reguli de siguranță

- Acest aparat este destinat utilizării în gospodării și altor aplicații, cum ar fi:
  - 1) În zonele de bucătărie destinate personalului din magazine, birouri și alte spații de lucru;
  - 2) În ferme și de către clienții hotelurilor, motelurilor și altor tipuri de spații rezidențiale;
  - 3) Pentru unitățile care oferă cazare și micul dejun;
  - 4) Pentru unități de catering și altele similare care nu practică desfacerea cu amănuntul.
- Aparatul este utilizat exclusiv în scopuri comerciale și nu trebuie folosit pentru uz casnic.
- Aparatul poate fi folosit doar în scopul pentru care a fost proiectat. Producătorul nu este răspunzător pentru orice avariere cauzată operării incorecte și a utilizării necorespunzătoare.
- Asigurați-vă că aparatul și ștecherul nu intră în contact cu apă sau alte lichide. În cazul în care aparatul este scăpat în apă, scoateți imediat ștecherul din priză și un tehnician autorizat trebuie să-l verifice. Dacă nu respectați aceste instrucțiuni, acest lucru poate cauza situații care vă pot pune viața în pericol.
- Nu încercați să deschideți singuri carcasa aparatului.
- Nu introduceți nici un fel de obiecte în carcasa aparatului.
- Nu atingeți ștecherul cu mâinile ude sau umede.
- **Pericol de electrocutare!** Nu încercați să reparați singur/ă aparatul. În cazul unei defecțiuni, reparațiile vor fi efectuate întotdeauna numai de personal calificat.
- **Nu utilizați niciodată un aparat defect!** Deconectați aparatul de la priza electrică și contactați distribuitorul în cazul unei defecțiuni.
- **Avertisment!** Nu scufundați părțile electrice ale aparatului în apă sau în alte lichide. Nu țineți niciodată aparatul sub jet de apă.
- Verificați în mod regulat ștecărul și cablul pentru a vă asigura că nu sunt deteriorate. În cazul în care ștecărul sau cablul de alimentare este deteriorat, acesta trebuie înlocuit de agentul de service sau de alt personal calificat similar pentru a evita orice pericol.
- Cablul nu trebuie să intre în contact cu obiecte ascuțite sau fierbinți și trebuie păstrat departe de foc. Pentru a scoate ștecărul din priză, trageți întotdeauna de ștecăr, nu de cablu.
- Asigurați-vă că nimeni nu poate trage din greșeală cablul (sau prelungitorul) și că nimeni nu se poate împiedica de el.
- Supravegheați întotdeauna aparatul atunci când este în funcțiune.
- Avertisment! Atât timp cât ștecărul este în priză, aparatul este conectat la sursa de electricitate.
- Opriiți aparatul înainte de a scoate ștecărul din priză.



- Nu cărați niciodată aparatul ținându-l de cablu.
- Nu utilizați dispozitive suplimentare care nu sunt livrate împreună cu aparatul.
- Conectați aparatul doar la prize electrice cu intensitatea și frecvența electrice menționate pe eticheta aparatului.
- Conectați cablul de alimentare la o priză electrică ușor accesibilă, astfel încât aparatul să poată fi deconectat imediat în caz de urgență. Scoateți cablul de alimentare din priza electrică pentru a opri complet aparatul. Utilizați cablul de alimentare ca dispozitiv de deconectare.
- Oprii întotdeauna aparatul înainte de a deconecta cablul de alimentare.
- Nu utilizați niciodată accesorii care nu sunt recomandate de către producător. Acestea pot reprezenta un risc de siguranță pentru utilizator și pot deteriora aparatul. Utilizați numai piese și accesorii originale.
- Acest aparat nu trebuie folosit de copii sau persoane care au capacități mentale, senzoriale sau fizice reduse, sau lipsă de experiență și cunoștințe.
- Acest aparat nu trebuie utilizat sub nicio formă de către copii.
- Nu țineți produsul și cablurile sale la îndemâna copiilor.
- Copiii nu trebuie să se joace cu acest produs.
- Deconectați întotdeauna aparatul de la sursa de alimentare în cazul în care este lăsat nesupravegheat, precum și înainte de asamblare, dezasamblare sau curățare.
- Nu lăsați niciodată aparatul nesupravegheat pe parcursul utilizării.

## Reguli speciale privind siguranța

- Acest aparat este destinat exclusiv producerii de cuburi de gheață. Orice altă utilizare poate provoca avarierea aparatului sau accidentarea persoanelor.
- Utilizați aparatul doar în conformitate cu indicațiile din acest manual.
-  **Atenție! Risc de incendiu!** Agentul frigorific utilizat este R290. Acesta este un agent frigorific inflamabil, fără efecte adverse asupra mediului. Deși este inflamabil, el nu afectează stratul de ozon și nu amplifică efectul de seră. Utilizarea acestui agent frigorific a condus însă la o creștere ușoară în nivelul de zgomot al aparatului. În afară de zgomotul produs de compresor, este posibil să auziți și curgerea agentului frigorific prin sistem. Acest lucru este inevitabil și nu are un efect negativ asupra performanțelor aparatului. Trebuie întotdeauna avută grijă la transportarea și instalarea aparatului, în așa fel încât niciuna din părțile sistemului de răcire să nu fie avariate. Scurgerile de agent frigorific pot vătăma ochii.
- Nu puneți aparatul pe un obiect de încălzire (aparat de gătit cu benzină, electric, cărbune etc.) Mențineți aparatul la distanță de orice suprafețe fierbinți și de flăcări deschise. Utilizați și așezați întotdeauna aparatul pe o suprafață orizontală, stabilă, curată, termorezistentă și uscată.
- Acest aparat nu este construit spre a fi utilizat cu ajutorul unui cronometru extern sau al unui sistem de control separat.
- AVERTISMENT: Nu obstrucționați orificiile pentru ventilație de pe carcasa aparatului.
- AVERTISMENT: Nu utilizați instrumente mecanice sau alte mijloace pentru a accelera

dezghețarea, altele decât cele recomandate de producător.

- VERTISMENT: Se va cupla numai la sursa portabilă de apă.
- Nu depozitați substanțe explozive, cum ar fi cutii de aerosoli cu carburant inflamabil în acest aparat.
- În timpul utilizării, lăsați cel puțin 15 cm în jurul aparatului ca spațiu de ventilație.
- Nu loviți suprafața exterioară cu instrumente dure. Nu folosiți jeturi de apă, nu clățiți direct cu apă și nu folosiți un dispozitiv de curățare cu aburi, deoarece piesele se vor uda și riscați să vă electrocutați.
- A nu se expune la bătaia directă a luminii solare. A se evita șocurile mecanice și vibrațiile.
- Aparatul trebuie întotdeauna mutat sau transportat în poziție verticală, în caz contrar putând suferi avarii.
- Atenție! Așezați protejat cablul de alimentare dacă este nevoie, pentru a împiedica tragearea neintenționată sau contactul cu suprafața de încălzire.
- Nu curățați și nu depozitați aparatul decât după ce s-a răcit complet.
- Niciuna dintre piese nu poate fi curățată în mașina de spălat vase.

---

### Destinația produsului

- Acest aparat este proiectat pentru utilizare în gospodărie și în alte aplicații similare.
- Acest aparat este destinat exclusiv producerii de cuburi de gheață. Orice altă utilizare poate provoca avarierea aparatului sau accidentarea persoanelor.
- Utilizarea aparatului în orice alt scop reprezintă o utilizare incorectă. Utilizatorul este singurul răspunzător de orice utilizare incorectă a aparatului.

RO

---

### Instalația de împământare

Acest aparat este încadrat în clasa de protecție I și trebuie împământat. Împământarea reduce riscul electrocutării prin asigurarea unui fir de ieșire pentru curentul electric. Acest aparat este dotat cu

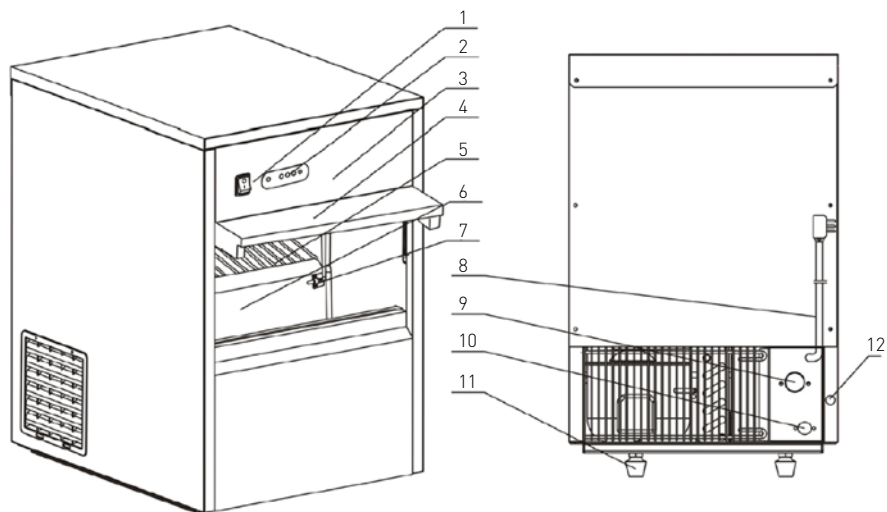
un cablu cu fir de împământare cu fișă. Fișa trebuie conectată la o priză instalată corespunzător și împământată.

---

### Pregătirea înainte de prima utilizare

- Asigurați-vă că aparatul nu este defect. În cazul în care apare o defecțiune, contactați furnizorul dumneavoastră imediat și NU utilizați aparatul.
- Îndepărtați întregul ambalaj și folia de protecție [dacă există].
- Curățați aparatul cu apă caldă și o cârpă moale.
- Puneți aparatul pe o suprafață plană și stabilă, cu excepția situațiilor în care se prevede contrariul.
- Asigurați-vă că în jurul aparatului este suficient loc liber pentru ventilație.
- Poziționați aparatul în așa fel încât ștecărul să fie accesibil în orice moment.
- Verificați dacă sunt prezente coșul pentru cuburi și lopățița. Dacă lipsește vreo piesă, contactați furnizorul.
- Curățați interiorul aparatului cu apă caldă și o cârpă moale.
- Curățați coșul pentru gheață.
- Nu așezați aparatul de produs gheață în bătaia directă a soarelui sau în apropierea unor surse de căldură.
- Nu folosiți aparatul de produs gheață timp de 24 de ore după de a fost transportat sau mutat dintr-un loc în altul.

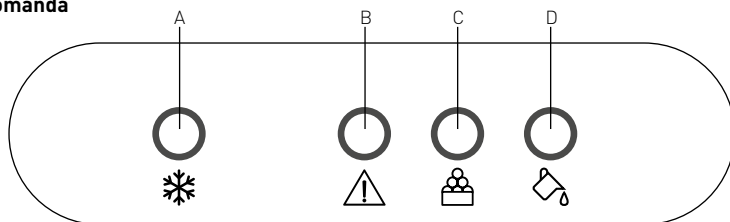
## Principalele piese ale aparatului



1. Comutator de PORNIRE / OPRIRE cu indicator încorporat (de culoare verde)
2. Afișaj cu lămpi pentru diverse funcțiuni
3. Panou frontal
4. Ușă glisantă
5. Raft pentru gheață
6. Recipient de depozitare a gheții
7. Senzor pentru cantitatea de gheață
8. Cablu de alimentare
9. Conductă de alimentare cu apă
10. Orificiul de scurgere a apei
11. Picioare
12. Capacul scurgerii

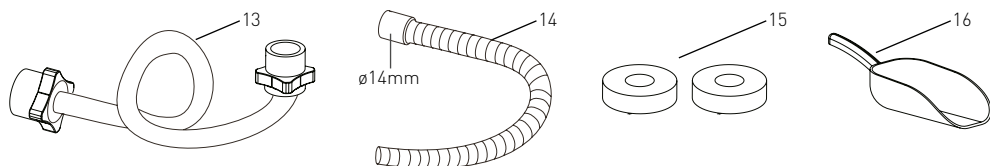
RO

## Panoul de comandă



- A). ❄️ : Indicator de funcționare (verde)  
B). ⚠️ : Afișajul pentru defecțiuni (roșu)  
C). 🧊 : Rezervorul de depozitare este plin (galben)  
D). 💧 : Nivelul apei este pre scăzut (galben)

## Accesorii



13. Furtun de alimentare cu apă
14. Furtun de evacuare a apei
15. Garnitură de schimb x2
16. Lopățiță pentru gheață

## Instalarea aparatului

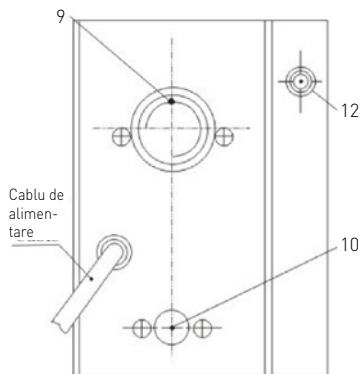
**Atenție:** Toate lucrările de instalare, întreținere și reparații trebuie executate doar de tehnicieni calificați și atestați.

- Asigurați-vă că aparatul nu este deteriorat sau că furnitura este completă. În cazul în care există deteriorări sau livrarea este incompletă, NU utilizați aparatul și contactați imediat furnizorul.
- Verificați dacă sunt prezente accesoriile, cum ar fi furtunul de alimentare cu apă, furtunul de scurgere, cele 2 garnituri de schimb și lopățița pentru gheață.
- Îndepărtați întregul ambalaj și folia de protecție (dacă există).
- Așezați aparatul pe o suprafață netedă, stabilă și sigură, care poate susține greutatea aparatului și a cuburilor de gheață produse în timpul utilizării.
- Evitați expunerea directă la razele de soare sau la surse de căldură cum ar fi aragazele, cuptoarele etc.
- Verificați ca în orice parte a aparatului să existe un spațiu liber de minimum 15 cm pentru asigurarea ventilației.
- Așezați aparatul astfel încât ștecherul să fie ușor accesibil și să poată fi scos din priză în caz de necesitate.
- Așezați aparatul lângă racordul de alimentare cu apă.

## Racordul la sursa de apă

**Atenție:** Aparatul se va racorda doar la o sursă de apă potabilă rece. În caz contrar, trebuie instalat un sistem de purificare a apei sau un filtru.

- Cuplați un capăt al furtunului de alimentare cu apă (13) la racordul filetat de 3 / 4" de la robinetul de apă pentru a prelua apa potabilă de la robinet. Cuplați apoi celălalt capăt al furtunului la partea din spate a aparatului (9) prin înfiletarea în sens invers acelor de ceasornic. Aveți grijă ca înainte de cuplare să montați garniturile (15) la ambele capete.
- Apoi cuplați un capăt al furtunului de scurgere (14) la partea din spate a aparatului (10) cu ajutorul mufei de scurgere. Cuplați celălalt capăt la evacuarea de scurgere / la rezervorul de apă. Scurgerea / rezervorul de apă trebuie să se afle la un nivel mai jos decât aparatul, astfel ca apa să se poată scurge.



**Notă:** Presiunea de admisie a apei: 1- 8 kg/cm<sup>2</sup>. Dacă presiunea depășește acest interval, trebuie instalat un reductor de presiune.

## Modul de utilizare

- Înainte de prima utilizare curățați interiorul și exteriorul aparatului cu apă caldă și o cârpă moale.
- Aparatul se instalează în spații bine ventilate, lăsând un spațiu liber de cel puțin 150 mm pe fiecare latură pentru ventilație.
- Lăsați aparatul să stea nemișcat timp de aproximativ o oră, pentru ca agentul frigorific să se așeze. Verificați dacă racordul la sursa de alimentare cu apă s-a făcut corect.
- După aceasta cuplați la o priză adecvată.
- Apăsăți comutatorul de PORNIRE / OPRIRE (1) de pe panoul de comandă pentru a porni aparatul.
- După aceasta aparatul va folosi apa pentru a curăța interiorul după care apa va începe să curgă automat. De această dată cele 3 lămpi indicatoare "❄️", "⚠️" și "🔧" se vor aprinde și vor clipi timp de aproximativ 30 de secunde.
- De asemenea, comutatorul PORNIRE / OPRIRE (1) se aprinde cu culoarea verde. Aparatul va începe să funcționeze.
- Procesul de producere a cuburilor de gheață este complet automat și cuprinde mai multe etape, respectiv: Admisia apei == > producerea cuburilor de gheață == > evacuarea cuburilor de gheață == > depozitarea cuburilor.
- Apoi împingeți ușa glisantă (4) și scoateți cuburile cu ajutorul lopății (16).
- În momentul în care recipientul de depozitare a cuburilor de gheață s-a umplut, indicatorul "🔧" se va lumina în galben iar aparatul se va opri automat.

• După ce cuburile de gheață au fost scoase aparatul va continua să producă cuburi în mod automat.

- **Notă:** Din motive de igienă, prima serie de cuburi produse la fiecare ciclu trebuie aruncată. Nu le utilizați la băuturi sau pentru răcirea alimentelor.
- Dacă alimentarea cu apă nu este suficientă, indicatorul "🔧" se va lumina în galben iar aparatul se va opri automat. Verificați alimentarea cu apă (furtunul de alimentare) cuplată la aparat.
- Dacă există vreo eroare, indicatorul "⚠️" se va lumina în roșu iar aparatul se va opri automat.
- Opriiți aparatul apăsând comutatorul PORNIRE / OPRIRE (1) și scoateți-l din priză atunci când acesta nu este folosit.

### Note:

- NU porniți din nou aparatul imediat după o oprire automată (provocată de alimentarea insuficientă cu apă, de umplerea excesivă a vasului pentru cuburi, de întreruperea curentului). Așteptați cel puțin 3 ~ 5 minute, evitând astfel avarierea compresorului.
- Verificați regulat racordurile furtunurilor de admisie și de evacuare a apei, ca să nu existe scurgeri și nici apa să nu intre în exces.
- Dacă aparatul nu va fi folosit un timp îndelungat, deșurubați bușonul de scurgere (12) din partea din spate a aparatului. Uscați rezervorul de apă ștergându-l cu o cârpă uscată și curată.

RO

## Curățarea și întreținerea

**Atenție:** Scoateți întotdeauna aparatul din priză și lăsați-l să se răcească complet înainte de curățare sau înainte de a face reparații sau lucrări de întreținere. Aceste lucrări trebuie executate doar de tehnicieni calificați și atestați.

### Curățarea

- Curățați bine aparatul după fiecare utilizare și după perioadele de staționare îndelungată.
- Curățați suprafețele exterioare și interioare cu o cârpă umedă și puțin detergent.
- Nu curățați aparatul cu jet de apă sau în mașina de curățat cu aburi și nici nu îl scufundați în apă.
- Curățați condensatorul la fiecare 2 ~ 3 luni.


- Se va utiliza doar o cârpă moale, evitând orice agenți sau obiecte abrazive care ar putea zgâria suprafețele.
- După curățare va trebui să uscați și să lustruiți suprafețe cu o cârpă moale și uscată.

## Întreținerea

- Verificați din când în când starea cordonului de alimentare pentru a evita electrocutările. Nu utilizați niciodată aparatul cât timp cordonul de alimentare este deteriorat. Cordoanele de alimentare deteriorate trebuie imediat preluate de un tehnician calificat și atestat.
- Lucrările de reparații și întreținere trebuie realizate numai de către un tehnician calificat și utilizând piese de schimb și accesorii originale. NU încercați să reparați singur aparatul.

## Depanarea

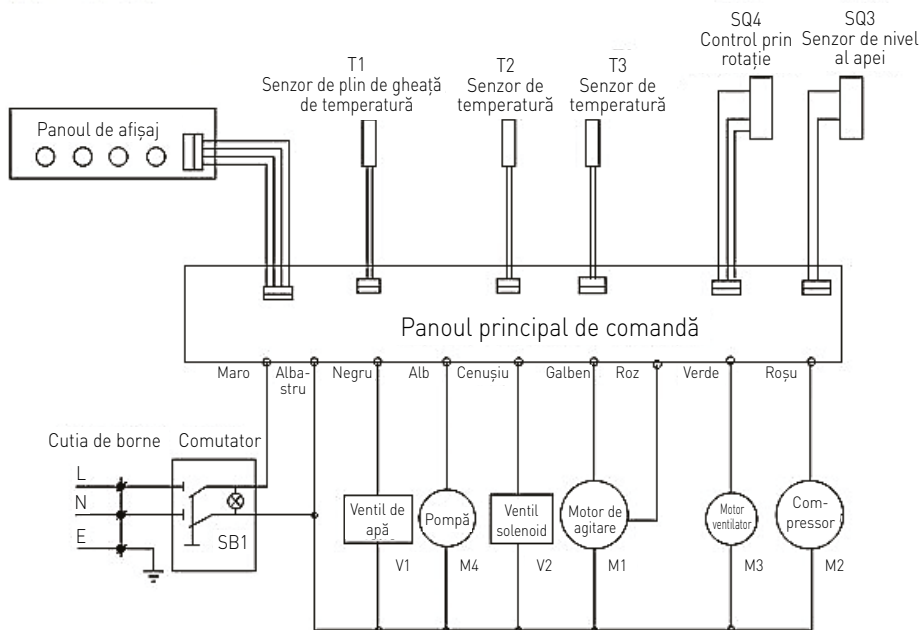
Dacă aparatul nu funcționează bine, consultați tabelul de mai jos pentru a găsi soluția. Dacă tot nu puteți rezolva problema, luați legătura cu furnizorul/agentul de service.

Probleme	Cauze posibile	Soluție posibilă
Aparatul nu funcționează.	<ul style="list-style-type: none"><li>• Aparatul este oprit.</li><li>• Racordul la priza electrică nu s-a făcut corect.</li></ul>	<ul style="list-style-type: none"><li>• Porniți aparatul.</li><li>• Verificați conexiunea la priza electrică.</li></ul>
Compresorul nu funcționează.	<ul style="list-style-type: none"><li>• Apa de la sursa de alimentare nu este suficientă.</li><li>• Recipientul este plin cu gheață.</li></ul>	<ul style="list-style-type: none"><li>• Verificați instalația de alimentare cu apă. Dacă totul este ok, porniți din nou aparatul.</li><li>• Scoateți o parte din gheață.</li></ul>
Compresorul funcționează dar nu se produc cuburi de gheață.	<ul style="list-style-type: none"><li>• Scurgeri de agent frigorific</li><li>• Instalația de răcire este blocată.</li></ul>	<ul style="list-style-type: none"><li>• Contactați furnizorul.</li></ul>
 indicatorul este aprins.	<ul style="list-style-type: none"><li>• Apa de la sursa de alimentare nu este suficientă.</li><li>• Ventilul de apă este defect.</li><li>• Presiunea apei la robinet este prea mică.</li></ul>	<ul style="list-style-type: none"><li>• Verificați instalația de alimentare cu apă. Dacă totul este ok, porniți din nou aparatul.</li><li>• Contactați furnizorul pentru a înlocui ventilul de apă.</li><li>• Verificați dacă presiunea apei la robinet este de cel puțin 1kg/cm<sup>2</sup></li></ul>

## Specificația tehnică

Articol nr.	271773	271780
Tensiune și frecvență de funcționare	220-240V~ 50/60Hz	
Puterea nominală de intrare	210W	280W
Intensitatea nominală	1,4A	1,5A
Agentul frigorific utilizat și cantitatea injectată	R290 / 65g	R290 / 85g
Clasa de climă	N (de la 16°C până la 32°C)	
Clasa de protecție	Clasa I	
Nivel sonor	< 60 dB [A]	
Capacitatea de producere a gheții	26 kg / 24 hr	50 kg / 24 hr
Rezervorul de depozitare a gheții	7 kg	
Greutate netă (aprox.)	31 kg	33 kg
Dimensiune	398 x 546 x (H) 682 mm	

**Observații:** Specificația tehnică poate fi modificată fără preaviz.



### Garanție

Orice defecțiune care afectează funcționarea aparatului apărută la mai puțin de un an de la cumpărarea acestuia va fi remediată prin reparație sau înlocuire gratuită, cu condiția ca aparatul să fi fost folosit și întreținut conform instrucțiunilor nu să nu fi fost bruscat sau folosit necorespunzător în vreun fel. Drepturile dumneavoastră legale nu sunt afec-

tate. Dacă aparatul este în garanție, menționați când și de unde a fost cumpărat și includeți dovada cumpărării (de ex. chitanța).

Conform politicii noastre de dezvoltare continuă a produsului, ne rezervăm dreptul de a modifica produsul, ambalajul și documentația fără notificare.

### Eliminarea și mediul înconjurător

La dezafectarea aparatului, produsul nu trebuie aruncat împreună cu alte deșeuri menajere. În schimb, este responsabilitatea dumneavoastră să eliminați echipamentul uzat prin predarea acestuia la un punct de colectare desemnat. Nerespectarea acestei reguli poate fi penalizată în conformitate cu reglementările aplicabile privind eliminarea deșeurilor. Colectarea separată și reciclarea echipamentului dumneavoastră uzat la momentul debarasării contribuie la conservarea resurselor na-

turale și asigură realizarea reciclării într-un mod care protejează sănătatea ființelor umane și a mediului. Pentru informații suplimentare privind modul în care puteți preda deșeurile dumneavoastră în scopul reciclării, vă rugăm să contactați compania locală de colectare a deșeurilor. Producătorii și importatorii nu își asumă responsabilitatea cu privire la reciclarea, tratarea și eliminarea ecologică a deșeurilor, fie direct, fie prin intermediul unui sistem public.

Большое Вам спасибо за то, что Вы купили оборудование фирмы Arctic. Вам следует внимательно прочитать настоящую инструкцию пользователя во избежание повреждения машины в результате неправильной эксплуатации. Особенно рекомендуем ознакомиться с предупреждениями.

## Правила техники безопасности

- Устройство предназначено для использования в домашних хозяйствах и в следующих местах:
  - 1) кухни для сотрудников в магазинах, офисах и других рабочих местах;
  - 2) домашние хозяйства и кухни, предназначенные для гостей в гостиницах, мотелях и других жилых районах;
  - 3) отели типа „постель и завтрак“;
  - 4) учреждения, предлагающие услуги общественного питания и аналогичные учреждения, занимающиеся розничной торговлей.
- Настоящее устройство предназначено исключительно для коммерческого использования и не должно использоваться в домашних условиях.
- Оборудование следует использовать точно по назначению. Производитель не несет ответственности за повреждения, вызванные неправильной эксплуатацией или неправильным обслуживанием оборудования.
- Оборудование и электрическую штепсельную вилку следует держать вдали от воды и прочих жидкостей. Если штепсельная вилка попадет в воду, ее следует тут же вытащить из розетки электропитания и обратиться в службу сертифицированного сервиса для проверки устройства. Несоблюдение данных указаний может повлечь за собой угрозу здоровью и жизни обслуживающего персонала.
- Нельзя снимать кожу без особого разрешения.
- Нельзя класть никаких посторонних предметов вовнутрь агрегата.
- Нельзя касаться мокрыми, или влажными руками штепсельной вилки.
- **Опасность поражения током!** Не следует самостоятельно чинить электроаппаратуру. Любые поломки и неисправности должны устраняться квалифицированным персоналом.
- **Никогда не следует пользоваться поврежденной электроаппаратурой.** Поврежденное устройство нужно отсоединить от электросети и обратиться к продавцу.
- **Предупреждение:** не следует погружать электрических деталей в воду, или иные жидкости. Не омыwać в струе воды.
- Регулярно проверять вилку и провод электропитания на предмет повреждений. Поврежденные вилку или провод передать для ремонта в сервисную точку, или обратиться к квалифицированному электрику во имя предотвращения опасности травм.
- Удостовериться, что провод электропитания не касается острых и горячих предметов; держать электропровод вдали от открытого огня. Для того, чтобы вынуть вилку из розетки всегда нужно тянуть за вилку, а не за электропровод.



- Защитить провод электропитания (удлинитель) от случайного выпадения из розетки. Электропровод прокладывать так, чтобы случайно не зацепиться за него.
- Непрестанно наблюдать за работающей электроаппаратурой.
- Предупреждение! Если вилка находится в розетке – это означает, что электроаппаратура считается подключенной к электропитанию.
- Перед тем, как вынуть вилку из розетки, электроаппаратуру следует выключить!
- Никогда нельзя переносить, передвигать электроаппаратуру держа за электропровод.
- Не использовать никаких деталей, аксессуаров, которые не поставляются вместе с этой электроаппаратурой.
- Электроаппаратуру следует подключать исключительно к розетке, в которой имеется напряжение и частоту, указанную на щитке электроаппаратуры.
- Вилку следует вставлять в розетку, расположенную в удобном и легкодоступном месте, так чтобы в случае аварии можно бы ее немедленно вынуть. Для полного обеспечения безопасности электроаппаратуры ее следует отсоединить от электропитания; для этого следует вынуть вилку, находящуюся на конце провода электропитания, из розетки.
- Перед тем, как вынуть вилку всегда следует помнить о том, чтобы сначала выключить электроаппаратуру!
- Не следует использовать детали, аксессуары, не рекомендуемые производителем данной электроаппаратуры, т.к. использование таких деталей, аксессуаров может создать для пользователя угрозу его здоровью и жизни, а также может привести к поломке электроаппаратуры. Следует всего использовать оригинальные детали, аксессуары.
- Без надлежащего контроля или предварительного обучения эксплуатации оборудования проводимого лицом, отвечающим за безопасную эксплуатацию, оборудованием не могут пользоваться ни дети, ни лица с ограниченными физическими, или психическими возможностями, ни лица, которые не обладают необходимым опытом работы и знаниями в данной области.
- Ни в коем случае нельзя допускать к использованию электроаппаратуры детей.
- Электроаппаратуру следует хранить в месте недоступном для детей.
- Нельзя разрешать детям использовать электроаппаратуру в качестве игрушки.
- Всегда электроаппаратуру следует отсоединить от электропитания, если оставляем ее без надзора, перед монтажом, демонтажем и чисткой.
- Нельзя оставлять работающую электроаппаратуру без надзора.

---

## **Специальные правила техники безопасности**

- Устройство предназначено исключительно для производства кубиков льда. Использование устройства для любых других целей может привести к повреждению или травме тела.
- Используйте устройство только в соответствии с этим руководством.



- **Внимание! Опасность пожара!** В устройстве используется хладагент R290. Это экологически чистый легковоспламеняющийся хладагент. Он не вреден для озонового слоя и не влияет на парниковый эффект. Однако использование этого хладагента приводит к небольшому увеличению уровня шума, создаваемого устройством. Кроме шума, создаваемого компрессором, пользователь может слышать звук, вызванный потоком хладагента. Этого явления нельзя избежать, и он не оказывает негативного влияния на функционирование устройства. Во время транспортировки и установки устройства следует соблюдать особую осторожность, чтобы не повредить какие-либо части холодильной системы. Утечка хладагента может привести к повреждению глаз.
- Не размещайте устройство на объекте, который излучает тепло (газовая или электрическая плита, гриль и т.п.). Держите устройство подальше от любых горячих поверхностей и открытого пламени. Устройство следует установить и эксплуатировать на ровной, стабильной, чистой и сухой поверхности, устойчивой к высоким температурам.
- Устройство не приспособлено для управления с помощью внешнего таймера или отдельной системы дистанционного управления.
- ПРЕДУПРЕЖДЕНИЕ: Не закрывайте вентиляционные отверстия корпуса устройства.
- ПРЕДУПРЕЖДЕНИЕ: Не используйте механические устройства или инструменты, отличающиеся от рекомендованных производителем, чтобы ускорить процесс размораживания.
- ПРЕДУПРЕЖДЕНИЕ: Нельзя привести к повреждению контура хладагента.
- ПРЕДУПРЕЖДЕНИЕ: подключайте только к переносному источнику воды.
- Не храните взрывоопасные вещества, такие как аэрозольные контейнеры, с воспламеняющимся газом в устройстве.
- Обеспечьте по крайней мере 15-сантиметровое пространство вокруг устройства, для обеспечения достаточной вентиляции во время пользования.
- Не ударяйте твердым инструментом в наружную поверхность устройства. Не чистите устройство с помощью струи воды под давлением или пароочистителя, не промывайте устройство водой, так как это приведет к увлажнению деталей внутри устройства, что может привести к поражению электрическим током.
- Защищайте от прямого солнечного света. Избегайте механических ударов и вибраций устройства.
- Во избежание повреждения устройства, всегда переносите и транспортируйте его в вертикальном положении.
- Внимание! Правильно уложите и закрепите шнур питания, чтобы предотвратить случайное вытягивание или контакт с нагретой поверхностью.
- Не чистите и не размещайте устройство на хранение пока оно полностью не остынет.
- Части устройства нельзя мыть в посудомоечной машине.

---

## Назначение устройства

- Устройство предназначено для домашнего использования или для аналогичной цели.
- Устройство предназначено исключительно для производства кубиков льда. Использование устройства для любых других целей может привести к повреждению или травме тела.
- Использование устройства для любых других целей будет рассматриваться, как использование не по назначению. Пользователь будет нести исключительную ответственность за неправильное использование устройства.

---

## Монтаж устройства

Гранитор является устройством I класса защиты и должен быть заземлен. Заземление снижает риск поражения электрическим током за счет использования отводящего провода. Устройство

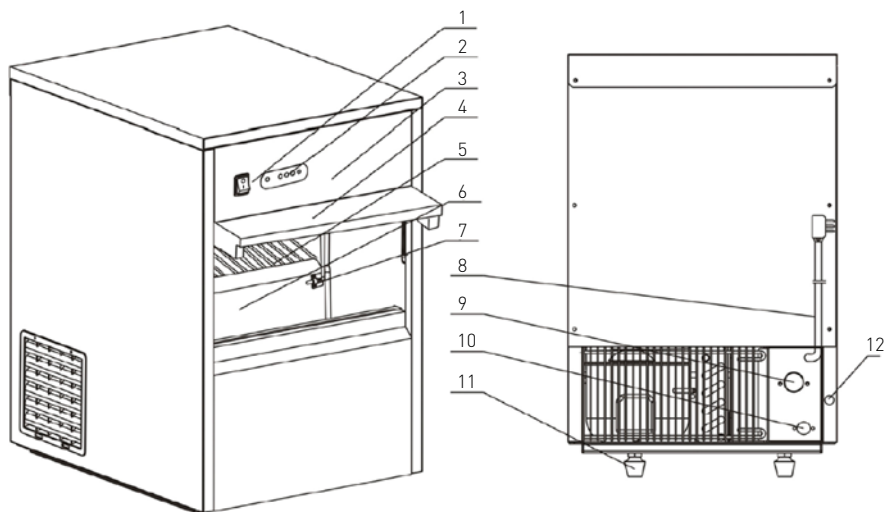
оснащено заземляющим проводом с вилкой с заземляющим контактом. Не вставляйте вилку в розетку, если устройство не установлено надлежащим образом и не заземлено.

---

## Перед первым использованием

- Проверьте, не повреждено ли устройство. В случае любых повреждений немедленно свяжитесь с поставщиком и НЕ включайте устройство.
- Снимите все элементы упаковки и защитную пленку (если имеется).
- Протрите устройство мягкой тканью, смоченной теплой водой.
- Если не указано по другому, поместите устройство на плоскую и стабильную поверхность.
- Убедитесь, что вокруг устройства имеется достаточное пространство для обеспечения надлежащей вентиляции.
- Установите устройство так, чтобы у вас всегда был хороший доступ к вилке.
- Удостоверьтесь, что к устройству приложены контейнер для льда и лопатка для льда. Если будет обнаружена какая-либо недостача, немедленно свяжитесь с поставщиком.
- Протрите внутреннюю часть устройства мягкой тканью, смоченной теплой водой.
- Очистите контейнер для льда.
- Не подвергайте устройство воздействию прямых солнечных лучей и не размещайте его вблизи источника тепла.
- Не используйте устройство в течение 24 часов со дня его транспортировки или перемещения в другое место.

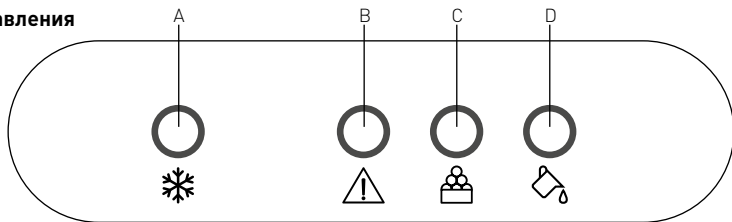
## Основные детали устройства



- |   |  |
|---|--|
| <p>1. Переключатель ON / OFF со встроенным сигнальным индикатором (зеленым)</p> <p>2. Дисплей с сигнальными индикаторами с различными функциями</p> <p>3. Передняя панель</p> <p>4. Раздвижные двери</p> <p>5. Полка для льда</p> | <p>6. Контейнер для льда</p> <p>7. Датчик наполнения контейнера для льда</p> <p>8. Кабель питания</p> <p>9. Подключение воды</p> <p>10. Отверстие для водоотводного шланга</p> <p>11. Ножки</p> <p>12. Крышка для сливного отверстия</p> |
|---|--|

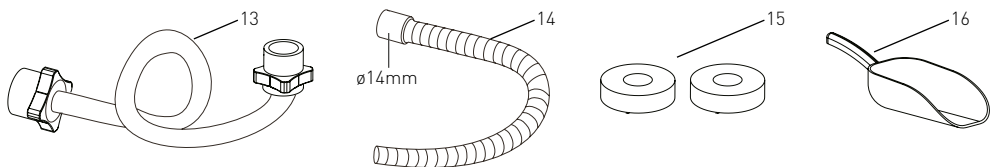
RU

## Панель управления



- |  |  |
|--|--|
| <p>A). ❄️: Индикатор, указывающий на работу устройства (зеленый).</p> <p>B). ⚠️: Индикатор ошибки (красный).</p> | <p>C). 🧊: Индикатор, указывающий, что контейнер заполнен (желтый)</p> <p>D). 💧: Индикатор, указывающий на низкий уровень воды (желтый)</p> |
|--|--|

## Аксессуары



- |  |  |
|--|--|
| <p>13. Шланг подачи воды</p> <p>14. Водоотводный шланг</p> | <p>15. Дополнительные уплотнительные шайбы x 2</p> <p>16. Лопатка для льда</p> |
|--|--|

## Установка устройства

**Предупреждение:** Все работы по монтажу, техническому обслуживанию и ремонту должны выполняться только квалифицированными специалистами.

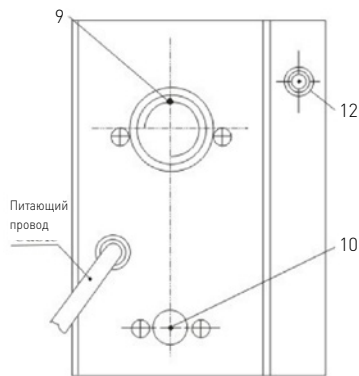
- Проверьте устройство на предмет комплектности и возможного повреждения. В случае неполной доставки или повреждения, НЕ используйте устройство и немедленно свяжитесь с поставщиком.
- Убедитесь, что все аксессуары включены в комплект поставки устройства, т.е. шланги подачи и отвода воды, 2 дополнительные уплотнительные шайбы и лопатка для льда.
- Удалите все элементы упаковки и защитную пленку (если имеется).
- Поместите устройство на горизонтальную, стабильную и защищенную поверхность, которая может выдерживать вес устройства, учитывая вес кубиков льда.
- Не подвергайте устройство воздействию прямых солнечных лучей и не размещайте вблизи источника тепла, например, печи, духовки и т.п.
- Убедитесь, что вокруг устройства поддерживается свободное пространство 15 см для обеспечения надлежащей вентиляции.
- Поместите устройство в место, где будет обеспечен свободный доступ к вилке, чтобы быстро отключить устройство от розетки, в случае необходимости.
- Поместите устройство рядом с водоподачей.

## Подключение к водоподаче

**Предупреждение:** Подключайте устройство только к водоподаче холодной питьевой вод. В противном случае перед запуском устройства следует установить

- Подключите один конец шланга подачи воды (13) к соединителю с резьбой 3/4" для подключения питьевой воды. Затем подключите другой конец шланга к задней части устройства (9), затягивая его по часовой стрелке. Перед подключением установите уплотнительные шайбы (15) с обеих сторон шланга.
- Затем подключите водоотводный шланг (14) к сливному отверстию, расположенному на задней стороне устройства (10) с помощью резинового кольца. Подключите другой конец водоотводного шланга к канализации / резервуару для воды. Отвод в канализацию/ резервуар для воды должен располагаться ниже, чем устройство, так чтобы вода могла свободно стекать.

**Примечание:** Диапазон давления воды на входе: 1-8 кг/см<sup>2</sup>. Если давление воды выше, необходимо установить редуктор давления.



## Эксплуатация

- Прежде чем использовать устройство в первый раз, очистите его внутренние и внешние поверхности мягкой тканью, смоченной теплой водой.
- Поместите устройство в хорошо проветриваемом помещении, оставив по крайней мере 150 мм вокруг устройства для вентиляции.
- Оставьте устройство около часа для правильного распределения и стабилизации хладагента. Убедитесь, что устройство правильно подключено к системе водоснабжения.
- Затем подключите устройство к подходящей розетке.
- Нажмите переключатель ON / OFF (1) на панели управления, чтобы включить устройство.
- Устройство автоматически наберет воду для очистки внутренних компонентов, и затем вода будет слита. Загорятся 3 индикатора, сигнализирующие "❄", "⚠" и "💧" и они будут мигать примерно 30 секунд.
- Переключатель ON / OFF (1) будет гореть зеленым цветом. Устройство начнет работать.
- Процесс производства кубиков льда полностью автоматизирован и включает в себя следующие этапы: Поступление воды = = > производство кубиков льда = = > выброс кубиков льда = = > хранение кубиков льда.
- Передвиньте дверь (4) и выньте лед с помощью лопатки (16).
- Когда контейнер для льда будет заполнен, индикатор "❄" загорится желтым цветом и устройство автоматически прекратит работу.
- После того, как будут вынуты кубики льда, устройство автоматически возобновит их производство.

- Примечание: по гигиеническим соображениям удалите кубики льда, полученные в первом цикле после каждого запуска устройства. Не используйте их для охлаждения напитков или продуктов питания.
- Если количество подаваемой воды будет недостаточное, индикатор "💧" загорится желтым цветом и устройство автоматически прекратит работу. Проверьте подключение воды (шланг) к устройству.
- В случае каких-либо ошибок или дефектов, индикатор "⚠" загорится красным цветом и устройство автоматически прекратит работу.
- Если вы не используете устройство, выключите его, нажав переключатель ON / OFF (1) и отсоедините его от источника питания.

### Примечание:

- НЕ ВКЛЮЧАЙТЕ устройство сразу после его автоматического отключения (из-за недостаточного водозабора, заполнения контейнера для льда или прерывания питания). Подождите примерно 3-5 минут до перезапуска, чтобы не повредить компрессор.
- Регулярно проверяйте подключение водоотводного шланга и шланга подачи воды на предмет любых утечек или разлитой воды.
- Если устройство не использовалось в течение длительного времени, отвинтите крышку сливного отверстия (12), расположенную на задней панели устройства. Протрите резервуар для воды сухой, чистой тканью.

## Очистка и техническое обслуживание

**Предупреждение:** Перед началом очистки, ремонта или обслуживания, всегда выключайте устройство из гнезда и дайте ему остыть. Все работы по монтажу, техническому обслуживанию и ремонту должны выполняться только квалифицированными специалистами.

### Очистка

- Мойте устройство после каждого использования и после более длительного периода выключения из эксплуатации.
- Внутреннюю и внешнюю поверхности устройства можно очистить с помощью влажной ткани с небольшим количеством моющего средства.
- Для очистки устройства не используйте прямую струю воды, паровой очиститель и не погружайте всё устройство в воду.
- Очищайте конденсатор каждые 2 - 3 месяца.
- Для чистки используйте только мягкую ткань - никогда не чистите устройство с помощью моющих средств, содержащих абразивы или абразивными губками из-за риска повреждения поверхности.
- После очистки протрите и отполируйте поверхность устройства мягкой сухой тканью.

### Обслуживание

- Периодически проверяйте шнур питания на предмет повреждений во избежание поражения электрическим током. Никогда не используйте устройство, если шнур питания поврежден. Поврежденный шнур должен быть немедленно заменен квалифицированным и авторизованным специалистом.
- Устройство должно ремонтироваться и обслуживаться только квалифицированными специалистами с использованием оригинальных запасных частей и аксессуаров. НЕ пытайтесь самостоятельно отремонтировать устройство.

## Диагностика

Если устройство не работает должным образом, обратитесь к приведенной ниже таблице, чтобы найти правильное решение. Если вы все еще не можете решить проблему, обратитесь к поставщику.

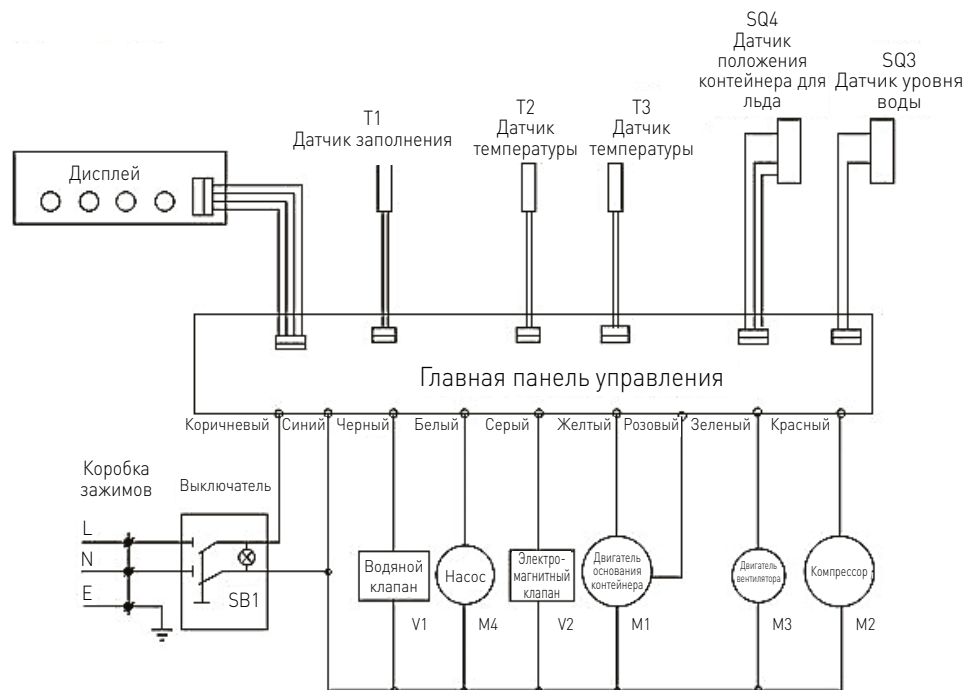
Проблема	Возможная причина	Возможное решение
Устройство не работает.	<ul style="list-style-type: none"> <li>• Устройство выключено.</li> <li>• Вилка неправильно подключена к розетке</li> </ul>	<ul style="list-style-type: none"> <li>• Включите устройство.</li> <li>• Проверьте, правильно ли подключена вилка к розетке.</li> </ul>
Компрессор не работает.	<ul style="list-style-type: none"> <li>• Недостаточное количество потребляемой воды.</li> <li>• Контейнер заполнен кубиками льда.</li> </ul>	<ul style="list-style-type: none"> <li>• Проверьте подключение системы водоснабжения. Если соединение правильное, перезагрузите устройство.</li> <li>• Выньте немного кубиков льда из контейнера.</li> </ul>
Компрессор работает, но устройство не производит кубики льда.	<ul style="list-style-type: none"> <li>• Утечка хладагента.</li> <li>• Система охлаждения заблокирована.</li> </ul>	<ul style="list-style-type: none"> <li>• Свяжитесь с поставщиком.</li> </ul>
 Горит сигнальный индикатор.	<ul style="list-style-type: none"> <li>• Недостаточное количество потребляемой воды.</li> <li>• Поврежден клапан воды.</li> <li>• Давление потребляемой воды слишком низкое.</li> </ul>	<ul style="list-style-type: none"> <li>• Проверьте подключение системы водоснабжения. Если соединение правильное, перезагрузите устройство.</li> <li>• Свяжитесь с поставщиком, чтобы заменить водяной клапан.</li> <li>• Убедитесь, что давление потребляемой воды не менее 1 кг /см<sup>2</sup></li> </ul>

## Технические характеристики

№ продукта	271773	271780
Рабочее напряжение и частота	220-240В~ 50 / 60 Гц	
Потребляемая мощность	210Вт	280Вт
Номинальный ток	1,4А	1,5А
Хладагент / количество вводимого агента	R290 / 65г	R290 / 85г
Климатический класс	N (16°C до 32°C)	
Степень защиты	I Класс	
Уровень шума	< 60 дБ (А)	
Емкость контейнера для льда	26 кг / 24 часов	50 кг / 24 часов
Контейнер для льда	7 кг	
Вес нетто (прим.):	31 кг	33 кг
Размеры	398 x 546 x (выс.) 682 мм	

**Замечания: Технические характеристики могут быть изменены без предварительного уведомления.**

## Электрическая схема (№ продукта 271773, 271780)





---

## **Гарантия**

Любая недоделка или поломка, которая влечет за собой неправильную работу устройства, которая будет выявлена в течение первого года от даты покупки, будет устранена бесплатно, или же все устройство будет заменено новым, если оно эксплуатировалось и обслуживалось согласно инструкции по обслуживанию и не использовалось неправильно, или в разрез с назначением. Данное положение ни коей мере не нарушает иных прав потребителя, изложенных в законо-

дательстве. В случае заявления устройства в ремонт или на замену в рамках гарантии, следует указать место и дату покупки устройства и приложить счет, или чековую квитанцию.

Согласно нашей политике совершенствования наших продуктов оставляем за собой право на ввод изменений в конструкцию, упаковку и в технические параметры, указываемые в технической документации без предупреждения.

---

## **Утилизация и защита окружающей среды**

В случае вывода оборудования из эксплуатации, продукт нельзя утилизировать вместе с другими бытовыми отходами. Пользователь несет ответственность за передачу оборудования в соответствующий пункт приема техники бывшей в употреблении. Несоблюдение вышеуказанного положения может привести к наложению штрафов в соответствии с действующими правилами в отношении утилизации отходов. Селективный сбор и утилизация использованного оборудования способствуют сохранению природных

ресурсов и обеспечивают рециркуляцию таким образом, который не вреден для здоровья и окружающей среды. Для получения дополнительной информации о том, где можно отдать использованное оборудование для утилизации, обратитесь в местную компанию по сбору отходов. Производитель и импортер не несут ответственности за рециркуляцию и переработку отходов экологически безопасным способом, как непосредственно, так и в рамках государственной системы.

Αγαπητέ πελάτη,

Ευχαριστούμε που αγοράσατε αυτό το προϊόν Arctic. Διαβάστε προσεκτικά το παρόν εγχειρίδιο πριν συνδέσετε τη συσκευή, προκειμένου να προλάβετε πιθανή βλάβη που μπορεί να οφείλεται σε λαν- θασμένη χρήση. Διαβάστε ιδίως τους κανονισμούς ασφαλείας πολύ προσεκτικά.

## Κανονισμοί ασφαλείας

- Αυτή η συσκευή προορίζεται για οικιακή χρήση και παρόμοιες εφαρμογές, όπως:
  - 1) κουζίνες σε εστιατόρια, γραφεία και άλλα εργασιακά περιβάλλοντα,
  - 2) αγροικίες, ξενοδοχεία, μοτέλ και άλλα είδη καταλύματος,
  - 3) πανδοχεία,
  - 4) υπηρεσίες τροφοδοσίας και παρόμοιες υπηρεσίες εκτός λιανικής
- Η συσκευή πρέπει να χρησιμοποιείται μόνο για τον σκοπό για τον οποίο προορίζεται και σχεδιάστηκε. Ο κατασκευαστής δεν ευθύνεται για τυχόν ζημιές που προκλήθηκαν από εσφαλμένη λειτουργία και ακατάλληλη χρήση.
- Κρατήστε τη συσκευή και το βύσμα μακριά από νερό και άλλα υγρά. Σε περίπτωση που η συσκευή πέσει μέσα σε νερό, αφαιρέστε αμέσως το βύσμα από την πρίζα και μην τη χρησιμοποιήσετε μέχρι να ελεγχθεί η συσκευή από πιστοποιημένο τεχνικό. Η μη τήρηση των οδηγιών ενδέχεται να προκαλέσει κίνδυνο προς τη ζωή.
- Μην επιχειρήσετε ποτέ να ανοίξετε μόνοι σας το περίβλημα της συσκευής.
- Μην εισάγετε αντικείμενα στο περίβλημα της συσκευής.
- Μην αγγίζετε το βύσμα με υγρά χέρια.
- Κίνδυνος ηλεκτροπληξίας! Μην επιχειρήσετε να επισκευάσετε μόνοι σας τη συσκευή. Σε περίπτωση δυσλειτουργίας, οι επισκευές πρέπει να διενεργούνται μόνο από εξειδικευμένο προσωπικό.
- Μην χρησιμοποιείτε ποτέ συσκευή με βλάβη! Σε περίπτωση βλάβης, αποσυνδέστε τη συσκευή από την πρίζα και επικοινωνήστε με τον πωλητή.
- Προειδοποίηση! Μην βυθίζετε τα ηλεκτρικά μέρη της συσκευής σε νερό ή άλλα υγρά. Μην βάζετε ποτέ τη συσκευή κάτω από τρεχούμενο νερό.
- Ελέγχετε τακτικά το βύσμα και το καλώδιο τροφοδοσίας για τυχόν ζημιές. Εάν το βύσμα ή το καλώδιο τροφοδοσίας είναι κατεστραμμένο, πρέπει να αντικατασταθεί από τεχνικό σέρβις ή εξειδικευμένα άτομα για την αποφυγή τυχόν κινδύνου ή τραυματισμού.
- Βεβαιωθείτε ότι το καλώδιο δεν έρχεται σε επαφή με αιχμηρά ή θερμά αντικείμενα και κρατήστε το μακριά από φωτιά. Για να βγάλετε το βύσμα από την πρίζα, να τραβάτε πάντα το βύσμα και όχι το καλώδιο.
- Βεβαιωθείτε ότι το καλώδιο (ή το καλώδιο επέκτασης) είναι τοποθετημένο έτσι ώστε να μην προκαλέσει κίνδυνο να σκοντάψει κανείς.
- Να προσέχετε πάντα τη συσκευή κατά τη χρήση.
- Προειδοποίηση! Όσο το βύσμα είναι στην πρίζα, η συσκευή είναι συνδεδεμένη στην πηγή τροφοδοσίας.
- Απενεργοποιήστε τη συσκευή πριν τραβήξετε το βύσμα από την πρίζα.
- Ποτέ μην μεταφέρετε τη συσκευή από το καλώδιο.

- Μην χρησιμοποιείτε συσκευές που δεν παρέχονται μαζί με τη συσκευή.
- Συνδέστε τη συσκευή μόνο σε ηλεκτρική πρίζα με τάση και συχνότητα που αναφέρονται στην ετικέτα της συσκευής.
- Συνδέστε το βύσμα σε μια εύκολα προσβάσιμη ηλεκτρική πρίζα έτσι ώστε σε περίπτωση έκτακτης ανάγκης η συσκευή να μπορεί να αποσυνδεθεί αμέσως. Για να απενεργοποιήσετε πλήρως τη συσκευή, βγάλτε το βύσμα από την πρίζα.
- Απενεργοποιείτε πάντα τη συσκευή πριν αποσυνδέσετε το βύσμα.
- Μην χρησιμοποιείτε ποτέ εξαρτήματα διαφορετικά από αυτά που συνιστώνται από τον κατασκευαστή. Σε αντίθετη περίπτωση, μπορεί να δημιουργηθεί κίνδυνος για τον χρήστη και να προκληθεί ζημιά στη συσκευή. Χρησιμοποιείτε μόνο αυθεντικά εξαρτήματα και αξεσουάρ.
- Αυτή η συσκευή δεν προορίζεται για χρήση από άτομα (συμπεριλαμβανομένων παιδιών) με μειωμένες σωματικές, αισθητήριες ή διανοητικές ικανότητες ή με έλλειψη πείρας και γνώσης.
- Αυτή η συσκευή δεν πρέπει, σε καμία περίπτωση, να χρησιμοποιείται από παιδιά.
- Κρατήστε τη συσκευή και το καλώδιο μακριά από παιδιά.
- Να αποσυνδέετε πάντα τη συσκευή από το ρεύμα εάν αφήνεται χωρίς επιτήρηση ή δεν χρησιμοποιείται και πριν από εργασίες συναρμολόγησης, αποσυναρμολόγησης ή καθαρισμού.
- Μην αφήνετε ποτέ τη συσκευή χωρίς επιτήρηση ενώ βρίσκεται σε λειτουργία.

## Ειδικό κανονισμοί ασφαλείας

- Η συσκευή παρέχεται μόνο για την παρασκευή κύβων πάγου. Οποιαδήποτε άλλη χρήση μπορεί να προκαλέσει ζημιά στη συσκευή ή τραυματισμό.
- Χρησιμοποιείτε τη συσκευή μόνο όπως περιγράφεται στο παρόν εγχειρίδιο.



**Προσοχή! Κίνδυνος πυρκαγιάς!** Ως ψυκτικό μέσο χρησιμοποιείται το R290, που είναι εύφλεκτο, φιλικό προς το περιβάλλον, δεν βλάπτει τη στιβάδα του όζοντος και δεν εντείνει το φαινόμενο του θερμοκηπίου. Ωστόσο, η χρήση αυτού του ψυκτικού μέσου προκαλεί μια ελαφρά αύξηση της στάθμης θορύβου της συσκευής. Εκτός από τον θόρυβο που προκαλεί ο συμπιεστής, μπορεί να ακούγεται το ψυκτικό που ρέει στο σύστημα. Αυτό είναι αναπόφευκτο και δεν έχει αρνητικές επιπτώσεις στην απόδοση της συσκευής. Κατά τη μεταφορά και την εγκατάσταση της συσκευής, προσέξτε να μην υποστούν βλάβη τα εξαρτήματα του συστήματος ψύξης. Η διαρροή ψυκτικού μπορεί να προκαλέσει οφθαλμολογική βλάβη.

- Μην τοποθετείτε τη συσκευή επάνω σε αντικείμενο θέρμανσης (ηλεκτρικό φούρνο, ψησταριά κλπ κλπ). Διατηρείτε τη συσκευή μακριά από θερμές επιφάνειες και ανοικτές φλόγες. Να τοποθετείτε και να χρησιμοποιείτε πάντα τη συσκευή σε επίπεδη, σταθερή, καθαρή, στεγνή και ανθεκτική στη θερμότητα επιφάνεια.
- Η συσκευή δεν προορίζεται για λειτουργία μέσω εξωτερικού χρονοδιακόπτη ή ξεχωριστού συστήματος τηλεχειρισμού.
- ΠΡΟΕΙΔΟΠΟΙΗΣΗ: Απομακρύνετε όλα τα εμπόδια γύρω από τα ανοίγματα .
- ΠΡΟΕΙΔΟΠΟΙΗΣΗ: Μην χρησιμοποιείτε μηχανικές συσκευές ή άλλα μέσα για να επιταχύνετε τη διαδικασία απόψυξης, πέραν αυτών που συνιστώνται από τον κατασκευαστή.

- **ΠΡΟΕΙΔΟΠΟΙΗΣΗ:** Μην προκαλέσετε ζημιά στο κύκλωμα του ψυκτικού μέσου.
- **ΠΡΟΕΙΔΟΠΟΙΗΣΗ:** Συνδέετε τη συσκευή μόνο σε παροχή πόσιμου νερού.
- Μην αποθηκεύετε στη συσκευή εκρηκτικές ουσίες, όπως φιάλες αερολυμάτων με εύφλεκτο προωθητικό αέριο.
- Αφήστε τουλάχιστον 15 cm ελεύθερο χώρο γύρω από τη συσκευή για λόγους αερισμού κατά τη χρήση.
- Μην χτυπάτε το περίβλημα της συσκευής με βαριά αντικείμενα. Μην καθαρίζετε τη συσκευή με πίδακες νερού ή ατμοκαθαριστή και μην την ξεπλένετε με νερό, καθώς θα βραχούν τα εξαρτήματα και μπορεί να προκληθεί ηλεκτροπληξία.
- Μην τοποθετείτε τη συσκευή σε μέρος με άμεση ηλιακή ακτινοβολία. Να αποφεύγετε τα μηχανικά πλήγματα και τους κραδασμούς.
- Να μετακινείτε και να μεταφέρετε τη συσκευή πάντα σε όρθια θέση καθώς σε αντίθετη περίπτωση μπορεί να προκληθεί ζημιά στη συσκευή.
- Προσοχή! Στερεώστε, εάν είναι απαραίτητο, το καλώδιο τροφοδοσίας για να αποφύγετε τυχόν ακούσιο τράβηγμα ή επαφή με την επιφάνεια ψοσίματος.
- Μην καθαρίζετε ή αποθηκεύετε τη συσκευή εάν δεν έχει κρυώσει πλήρως.
- Κανένα μέρος της συσκευής δεν είναι κατάλληλο για πλυντήριο πιάτων.

---

### Προβλεπόμενη χρήση

- Αυτή η συσκευή προορίζεται για οικιακή χρήση και παρόμοιες εφαρμογές.
- Η συσκευή είναι σχεδιασμένη μόνο για την παρσκευή κύβων πάγου. Οποιαδήποτε άλλη χρήση μπορεί να προκαλέσει ζημιά στη συσκευή ή τραυματισμό.
- Η χρήση της συσκευής για οποιονδήποτε άλλο σκοπό θεωρείται εσφαλμένη. Ο χρήστης είναι αποκλειστικά υπεύθυνος για την μη κατάλληλη χρήση της συσκευής.

### Γείωση

Αυτή η συσκευή ταξινομείται στην κλάση προστασίας I και πρέπει να συνδέεται με γείωση προστασίας. Η γείωση μειώνει τον κίνδυνο ηλεκτροπληξίας παρέχοντας ένα καλώδιο διαφυγής για το ηλεκτρικό ρεύμα.

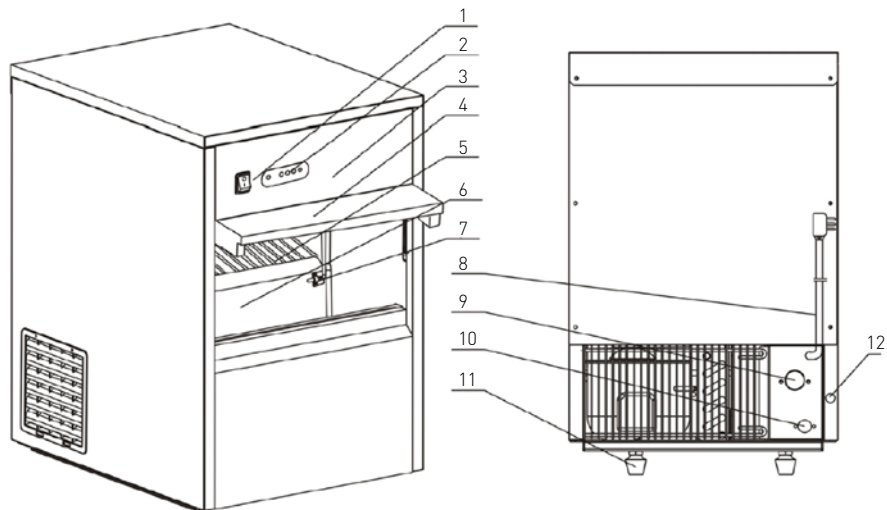
Αυτή η συσκευή είναι εξοπλισμένη με καλώδιο που φέρει καλώδιο γείωσης με βύσμα γείωσης. Το βύσμα πρέπει να είναι συνδεδεμένο σε σωστά τοποθετημένη και γειωμένη πρίζα.

---

### Προετοιμασία πριν από την πρώτη χρήση

- Βεβαιωθείτε ότι η συσκευή δεν φέρει ζημιές. Σε περίπτωση ζημιάς, επικοινωνήστε αμέσως με τον προμηθευτή σας και ΜΗΝ χρησιμοποιήσετε τη συσκευή.
- Αφαιρέστε όλο το υλικό συσκευασίας και την προστατευτική μεμβράνη (αν υπάρχει).
- Καθαρίστε τη συσκευή με χλιαρό νερό και ένα μαλακό πανί.
- Τοποθετήστε τη συσκευή σε επίπεδη και σταθερή επιφάνεια, εκτός εάν αναφέρεται διαφορετικά.
- Βεβαιωθείτε ότι υπάρχει αρκετός ελεύθερος χώρος γύρω από τη συσκευή για λόγους αερισμού.
- Τοποθετήστε τη συσκευή με τέτοιο τρόπο ώστε η πρίζα να είναι πάντα προσβάσιμη.
- Ελέγχετε ότι περιλαμβάνονται ο κάδος και η σέσουλα πάγου. Σε περίπτωση που λείπουν εξαρτήματα, επικοινωνήστε με τον προμηθευτή σας.
- Καθαρίστε το εσωτερικό της συσκευής με χλιαρό νερό και ένα μαλακό πανί.
- Καθαρίστε τον κάδο πάγου.
- Μην τοποθετείτε την παγομηχανή σε μέρος με άμεση ηλιακή ακτινοβολία ή κοντά σε πηγές θερμότητας.
- Μην χρησιμοποιείτε την παγομηχανή για 24 ώρες μετά από τη μεταφορά ή τη μετακίνησή της.

## Βασικά εξαρτήματα της συσκευής

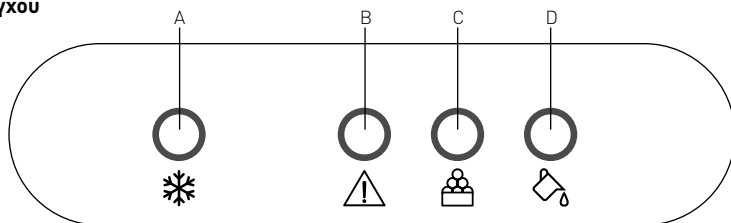


1. Διακόπτης ON / OFF με (πράσινη) λυχνία
2. Λυχνίες λειτουργίας
3. Μπροστινό πλαίσιο
4. Ανασπκώμενο πλαίσιο
5. Ράφι πάγου
6. Κάδος αποθήκευσης κύβων πάγου

7. Αισθητήρας χωρητικότητας κύβων πάγου
8. Καλώδιο ρεύματος
9. Οπή παροχής νερού
10. Οπή σωλήνα αποστράγγισης
11. Σπρίγματα
12. Κάλυμμα αποστράγγισης

GR

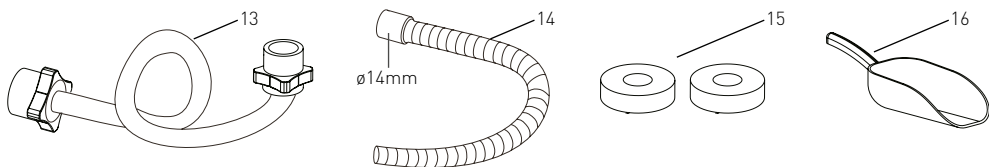
## Πίνακας ελέγχου



- A). ❄️ : Λυχνία λειτουργίας (πράσινη)  
B). ⚠️ : Λυχνία ένδειξης σφάλματος (κόκκινη)

- C). 🧊 : Λυχνία ένδειξης πλήρωσης κάδου αποθήκευσης (κίτρινη)  
D). 💧 : Λυχνία ένδειξης πολύ χαμηλής στάθμης νερού (κίτρινη)

## Εξαρτήματα



13. Σωλήνας παροχής νερού  
14. Σωλήνας αποστράγγισης νερού

15. Εφεδρική ροδέλα στεγανοποίησης x2  
16. Σέσουλα πάγου

## Εγκατάσταση της συσκευής

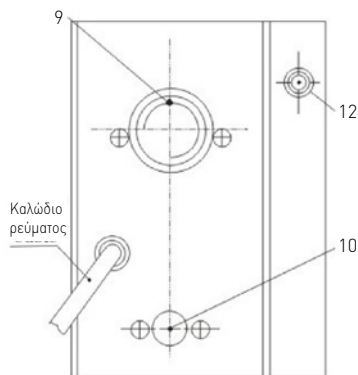
**Προσοχή:** Όλες οι εργασίες εγκατάστασης, συντήρησης και επισκευής πρέπει να εκτελούνται μόνο από εξειδικευμένους και εξουσιοδοτημένους τεχνικούς.

- Βεβαιωθείτε ότι η συσκευή δεν φέρει ζημιές και έχουν παραδοθεί όλα τα εξαρτήματα. Σε περίπτωση ζημιών ή μη ολοκληρωμένης παράδοσης, ΜΗΝ χρησιμοποιήσετε τη συσκευή και επικοινωνήστε αμέσως με τον προμηθευτή.
- Βεβαιωθείτε ότι περιλαμβάνονται όλα τα εξαρτήματα, όπως ο σωλήνας παροχής νερού, ο σωλήνας αποστράγγισης νερού, οι 2 εφεδρικές ροδέλες στεγανοποίησης και η σέσουλα πάγου.
- Αφαιρέστε όλο το υλικό συσκευασίας και την προστατευτική μεμβράνη (αν υπάρχει).
- Τοποθετήστε τη συσκευή σε επίπεδη, σταθερή και ασφαλή επιφάνεια που μπορεί να στηρίξει το βάρος της μαζί με αυτό του πάγου που παράγεται κατά τη χρήση.
- Μην τοποθετείτε τη συσκευή σε μέρος με άμεση ηλιακή ακτινοβολία ή κοντά σε πηγές θερμότητας, όπως κουζίνες, φούρνους κλπ.
- Αφήστε τουλάχιστον 15 cm ελεύθερο χώρο γύρω από τη συσκευή για λόγους αερισμού.
- Τοποθετήστε τη συσκευή με τέτοιο τρόπο ώστε το καλώδιο ρεύματος να είναι εύκολα προσβάσιμο και να μπορεί να αποσυνδεθεί γρήγορα από την πρίζα σε περίπτωση ανάγκης.
- Τοποθετήστε τη συσκευή κοντά στην παροχή νερού.

## Σύνδεση στην παροχή νερού

**Προσοχή:** Η συσκευή πρέπει να συνδέεται μόνο σε παροχή κρύου πόσιμου νερού. Διαφορετικά, πρέπει να τοποθετηθεί εκ των προτέρων σύστημα καθαρισμού ή φίλτρο.

- Συνδέστε το ένα άκρο του σωλήνα παροχής νερού (13) στον σύνδεσμο τύπου βίδας 3/4" της παροχής νερού για να λαμβάνεται πόσιμο νερό βρύσης. Στη συνέχεια, συνδέστε το άλλο άκρο του σωλήνα στο πίσω μέρος της συσκευής (9) βιδώνοντάς το δεξιόστροφα. Πριν τη σύνδεση, τοποθετήστε τις ροδέλες στεγανοποίησης (15) στα δύο άκρα.
- Στη συνέχεια, συνδέστε το ένα άκρο του σωλήνα αποστράγγισης (14) χρησιμοποιώντας τη μανσέτα αποστράγγισης στο πίσω μέρος της συσκευής (10). Συνδέστε το άλλο άκρο στην έξοδο αποχέτευσης / δοχείο νερού. Το ύψος της εξόδου αποχέτευσης/δοχείου νερού πρέπει να είναι χαμηλότερο από τη συσκευή, ώστε να μπορεί να εκρέει το νερό.



**Σημείωση:** Εύρος πίεσης παροχής νερού: 1- 8 kg/cm<sup>2</sup>. Εάν η πίεση υπερβαίνει αυτό το εύρος, πρέπει να εγκατασταθεί συσκευή μείωσης πίεσης.

## Λειτουργία

- Πριν την πρώτη χρήση, καθαρίστε την εσωτερική και εξωτερική επιφάνεια της συσκευής με χλιαρό νερό και ένα μαλακό πανί.
- Τοποθετήστε τη συσκευή σε καλά αεριζόμενο χώρο, αφήνοντας διάκενο τουλάχιστον 150 mm γύρω από όλες τις πλευρές της για λόγους αερισμού.
- Μην χρησιμοποιείτε τη συσκευή για τουλάχιστον μια ώρα προκειμένου να σταθεροποιηθεί το ψυκτικό. Βεβαιωθείτε ότι η συσκευή έχει συνδεθεί σωστά στο σύστημα παροχής νερού.
- Στη συνέχεια, συνδέστε τη συσκευή σε μια κατάλληλη πρίζα.
- Θέστε τον διακόπτη ON / OFF (1) στον πίνακα ελέγχου στη θέση ON.
- Στη συνέχεια, η συσκευή θα χρησιμοποιήσει νερό για τον καθαρισμό του εσωτερικού της και το νερό θα εξέλθει αυτόματα. Οι 3 λυχνίες "❄️", "⚠️" και "💧" θα αρχίσουν να αναβοσβήνουν για 30 δευτερόλεπτα.
- Θα ανάψει και η πράσινη λυχνία του διακόπτη ON / OFF (1). Η συσκευή αρχίζει να λειτουργεί.
- Η διαδικασία παρασκευής των κύβων πάγου είναι αυτόματη και αποτελείται από τα ακόλουθα στάδια: Εισαγωγή νερού = => Παρασκευή κύβων πάγου = => Εξαγωγή κύβων πάγου = => Αποθήκευση κύβων πάγου.
- Στη συνέχεια ανασπώστε το πλαίσιο (4) και αφαιρέστε τους κύβους πάγου χρησιμοποιώντας τη σέσουλα (16).
- Όταν ο κάδος αποθήκευσης των κύβων πάγου γεμίσει, η κίτρινη λυχνία "🧊" θα ανάψει και η συσκευή θα σταματήσει αυτόματα να λειτουργεί.
- Όταν αφαιρεθούν οι κύβοι πάγου από τον κάδο, η διαδικασία παρασκευής θα ξεκινήσει αυτόματα.

- Σημείωση: Για λόγους υγιεινής, πρέπει να απορρίψετε τους κύβους πάγου που παράγονται κατά τον πρώτο κύκλο κάθε χρήσης. Μην τους χρησιμοποιήσετε σε ποτά ή για την ψύξη φαγητού.
- Όταν η παροχή νερού δεν είναι επαρκής, η κίτρινη λυχνία "💧" θα ανάψει και η συσκευή θα σταματήσει αυτόματα να λειτουργεί. Βεβαιωθείτε ότι ο σωλήνας παροχής νερού είναι συνδεδεμένος σωστά στη συσκευή.
- Σε περίπτωση σφάλματος ή βλάβης, η κόκκινη λυχνία "⚠️" θα ανάψει και η συσκευή θα σταματήσει αυτόματα να λειτουργεί.
- Να απενεργοποιείτε τη συσκευή θέτοντας τον διακόπτη ON / OFF (1) στη θέση OFF και να την αποσυνδέσετε από την πρίζα όταν δεν την χρησιμοποιείτε.

## Σημειώσεις:

- ΜΗΝ ενεργοποιήσετε ξανά τη συσκευή αμέσως μετά την απενεργοποίησή της (σε περίπτωση ανεπαρκούς παροχής νερού, υπερβολικής πλήρωσης του κάδου αποθήκευσης των κύβων πάγου, διακοπής ρεύματος). Περιμένετε τουλάχιστον 3 ~ 5 λεπτά για να αποφύγετε ζημιές στον συμπιεστή.
- Ελέγχετε τακτικά τους συνδέσμους του σωλήνα παροχής νερού και του σωλήνα εξόδου για διαρροές ή υπερχειλίση νερού.
- Εάν δεν πρόκειται να χρησιμοποιήσετε τη συσκευή για μεγάλο χρονικό διάστημα, ξεβιδώστε το κάλυμμα αποστράγγισης (12) στο πίσω μέρος της συσκευής. Σκουπίστε το δοχείο νερού με ένα στεγνό, καθαρό πανί.

## Καθαρισμός και Συντήρηση

**Προσοχή:** Να αποσυνδέετε πάντα τη συσκευή από την πρίζα και να την αφήνετε να κρυώσει τελείως πριν από εργασίες καθαρισμού, συντήρησης και επισκευής. Όλες οι εργασίες πρέπει να εκτελούνται μόνο από εξειδικευμένους και εξουσιοδοτημένους τεχνικούς.

## Καθαρισμός

- Να καθαρίζετε προσεκτικά τη συσκευή μετά από κάθε χρήση και μετά από μεγάλο χρονικό διάστημα.
- Οι εξωτερικές και εσωτερικές επιφάνειες μπορούν να καθαριστούν με ένα υγρό πανί και μια μικρή ποσότητα καθαριστικού μέσου.
- Μην καθαρίζετε τη συσκευή με πίδακες νερού ή ατμοκαθαριστή και μη βυθίζετε τη συσκευή μέσα σε νερό.


- Να καθαρίζετε τον πυκνωτή κάθε 2 ~ 3 μήνες.
- Να χρησιμοποιήσετε μόνο μαλακό πανί και όχι λειαντικά καθαριστικά ή σφύραμα, που θα μπορούσαν να γρατσουνίσουν τις επιφάνειες της συσκευής.
- Να σκουπίστε τις επιφάνειες με ένα μαλακό και στεγνό πανί.

## Συντήρηση

- Να ελέγχετε κατά διαστήματα το καλώδιο τροφοδοσίας για τυχόν ζημιές για να αποφύγετε τυχόν ηλεκτροπληξία. Σε περίπτωση που το καλώδιο τροφοδοσίας έχει φθαρεί, μην χρησιμοποιήσετε τη συσκευή και απευθυνθείτε για έλεγχο σε εξειδικευμένο και εξουσιοδοτημένο τεχνικό.
- Οι εργασίες επισκευής και συντήρησης πρέπει να εκτελούνται μόνο από εξειδικευμένο τεχνικό και να χρησιμοποιούνται γνήσια ανταλλακτικά και εξαρτήματα. ΜΗΝ επιχειρήσετε να επισκευάσετε μόνοι σας τη συσκευή.

## Αντιμετώπιση προβλημάτων

Αν η συσκευή δεν λειτουργεί σωστά, συμβουλευτείτε τον παρακάτω πίνακα για πιθανές λύσεις. Αν συνεχίσετε να μην μπορείτε να επιλύσετε το πρόβλημα, επικοινωνήστε με τον προμηθευτή/πάροχο σέρβις.

Προβλήματα	Πιθανές αιτίες	Πιθανή λύση
Η συσκευή δεν λειτουργεί.	<ul style="list-style-type: none"><li>• Ο διακόπτης λειτουργίας είναι στη θέση OFF.</li><li>• Η συσκευή δεν είναι συνδεδεμένη σωστά στην παροχή ρεύματος.</li></ul>	<ul style="list-style-type: none"><li>• Θέστε τον διακόπτη λειτουργίας στη θέση ON.</li><li>• Ελέγξτε τη σύνδεση με την παροχή ρεύματος.</li></ul>
Ο συμπιεστής δεν λειτουργεί.	<ul style="list-style-type: none"><li>• Δεν παρέχεται νερό από το σύστημα παροχής νερού.</li><li>• Ο κάδος είναι γεμάτος με κύβους πάγου.</li></ul>	<ul style="list-style-type: none"><li>• Ελέγξτε το σύστημα παροχής νερού. Εάν δεν υπάρχει πρόβλημα με το σύστημα παροχής νερού, επανεκκινήστε τη συσκευή.</li><li>• Αφαιρέστε ορισμένους κύβους πάγου.</li></ul>
Ο συμπιεστής λειτουργεί, αλλά δεν παρασκευάζονται κύβοι πάγου.	<ul style="list-style-type: none"><li>• Διαρροή ψυκτικού.</li><li>• ο σύστημα ψυκτικού παρουσιάζει εμπλοκή.</li></ul>	<ul style="list-style-type: none"><li>• Επικοινωνήστε με τον προμηθευτή σας.</li></ul>
 Είναι αναμμένη η λυχνία.	<ul style="list-style-type: none"><li>• Δεν παρέχεται νερό από το σύστημα παροχής νερού.</li><li>• Βλάβη βαλβίδας νερού.</li><li>• Η πίεση του νερού είναι υπερβολικά χαμηλή.</li></ul>	<ul style="list-style-type: none"><li>• Ελέγξτε το σύστημα παροχής νερού. Εάν δεν υπάρχει πρόβλημα με το σύστημα παροχής νερού, επανεκκινήστε τη συσκευή.</li><li>• Επικοινωνήστε με τον προμηθευτή για να αντικαταστήσετε τη βαλβίδα νερού.</li><li>• Βεβαιωθείτε ότι η πίεση του νερού είναι τουλάχιστον <math>1\text{kg/cm}^2</math></li></ul>

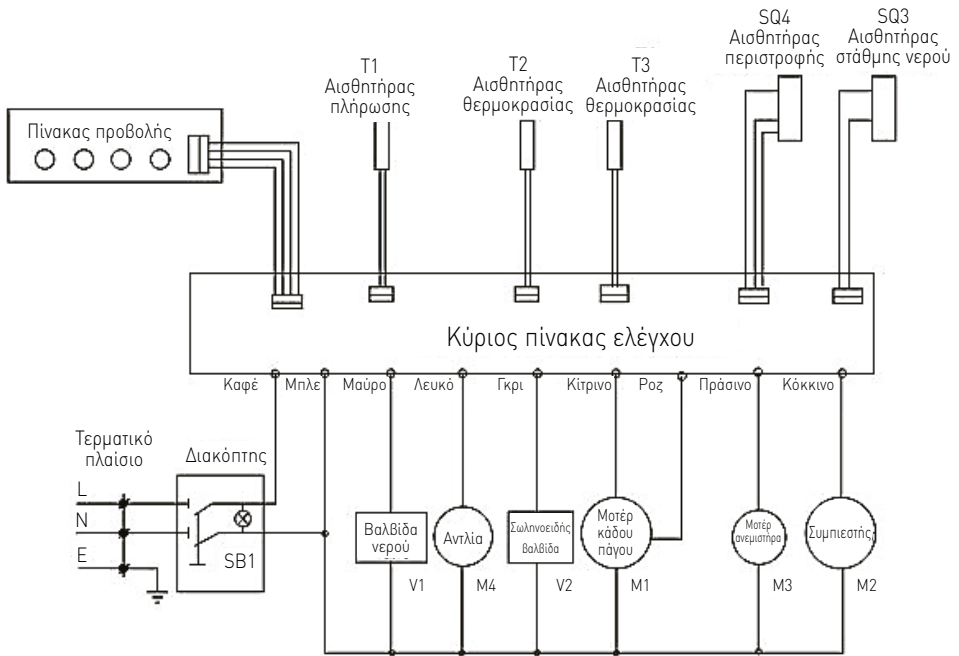


## Τεχνικά στοιχεία

Αρ. προϊόντος	271773	271780
Τάση και συχνότητα λειτουργίας	220-240V- 50/60Hz	
Ονομαστική ισχύς εισόδου	210W	280W
Ονομαστικό ρεύμα	1,4A	1,5A
Χρησιμοποιούμενο ψυκτικό μέσο και ποσότητα έγχυσης	R290 / 65g	R290 / 85g
Κλιματική κλάση	N (16°C έως 32°C)	
Κατηγορία προστασίας	Κατηγορία I	
Επίπεδο θορύβου	< 60 dB (A)	
Ice making capacity	26 kg / 24 ώρες	50 kg / 24 ώρες
Ice tank storage	7 kg	
Καθαρό βάρος (περ.)	31 kg	33 kg
Διαστάσεις	398 x 546 x (Y) 682 mm	

**Σημείωση: Οι τεχνικές προδιαγραφές μπορούν να τροποποιηθούν χωρίς προηγούμενη ειδοποίηση.**

## Διάγραμμα κυκλώματος (Αρ. προϊόντος: 271773, 271780)



---

## Εγγύηση

Οποιοδήποτε ελάττωμα επηρεάζει τη λειτουργικότητα της συσκευής που γίνεται προφανές ένα χρόνο μετά την αγορά της, θα διορθώνεται με δωρεάν επισκευή ή αντικατάσταση, αρκεί η συσκευή να έχει χρησιμοποιηθεί και συντηρηθεί σύμφωνα με τις οδηγίες και να μην έχει γίνει κατάχρηση ή λανθασμένη χρήση της με οποιονδήποτε τρόπο. Δε θίγονται τα νόμιμα δικαιώματά σας. Εάν η συσκευή υποστηρίζεται

από εγγύηση, δηλώστε πού και πότε έχει αγοραστεί και συμπεριλάβετε την απόδειξη αγοράς (π.χ. απόδειξη λιανικής πώλησης).

Σύμφωνα με την πολιτική μας για τη συνεχή εξέλιξη των προϊόντων μας, διατηρούμε το δικαίωμα να αλλάξουμε το προϊόν, τη συσκευασία και τις προδιαγραφές τεκμηριωσής του χωρίς προειδοποίηση.

---

## Απόρριψη & Περιβάλλον

Στο τέλος της διάρκειας ζωής της συσκευής, απορρίψτε τη συσκευή σύμφωνα με τους κανονισμούς και τις κατευθυντήριες γραμμές που ισχύουν τη συγκεκρι-

μεν χρονική στιγμή.

Πετάξτε τα υλικά συσκευασίας, όπως το πλαστικό και τα κουτιά, στα κατάλληλα σημεία απόρριψης.

ΣΕΡΒΙΣ ΕΛΛΑΔΟΣ:

Serviceworld

τηλ.: 210.6203.838 (10 γραμμές)

info@serviceworld.gr

www.serviceworld.gr



**Hendi B.V.**

Steenoven 21  
3911 TX Rhenen, The Netherlands  
**Tel:** +31 (0)317 681 040  
**Email:** info@hendi.eu

**Hendi Polska Sp. z o.o.**

ul. Magazynowa 5  
62-023 Gądki, Poland  
**Tel:** +48 61 6587000  
**Email:** info@hendi.pl

**Hendi Food Service Equipment GmbH**

Gewerbegebiet Ehring 15  
5112 Lamprechtshausen, Austria  
**Tel:** +43 (0) 6274 200 10 0  
**Email:** office.austria@hendi.eu

**Hendi UK Ltd.**

Central Barn, Hornby Road  
Lancaster, LA2 9JX, United Kingdom  
**Tel:** +44 (0)333 0143200  
**Email:** sales@hendi.co.uk

**Hendi Food Service Equipment Romania Srl**

Str. 13 decembrie 94A, Hala 14  
Braşov, 500164, Romania  
**Tel:** +40 268 320330  
**Email:** office@hendi.ro

**PKS Hendi South East Europe SA**

5 Metsovou Str.  
18346 Moschato, Athens, Greece  
**Tel:** +30 210 4839700  
**Email:** office.greece@hendi.eu

**Hendi HK Ltd.**

1208, 12/F Exchange Tower  
33 Wang Chiu Road, Kowloon Bay, Hong Kong  
**Tel:** +852 2154 2618  
**Email:** info-hk@hendi.eu

**Find Hendi on internet:**

[www.hendi.eu](http://www.hendi.eu)  
[www.facebook.com/HendiFoodServiceEquipment](https://www.facebook.com/HendiFoodServiceEquipment)  
[www.linkedin.com/company/hendi-food-service-equipment-b.v.](https://www.linkedin.com/company/hendi-food-service-equipment-b.v.)  
[www.youtube.com/HendiEquipment](https://www.youtube.com/HendiEquipment)

- Changes, printing and typesetting errors reserved.  
- Änderungen und Druckfehler vorbehalten.  
- Wijzigingen en drukfouten voorbehouden.  
- Producent zastrzega sobie prawo do zmian oraz  
błędów drukarskich w instrukcji.  
- Variations et fautes d'impression réservés.

- Errori di cambiamenti, di stampa e di impaginazione riservati.  
- Drepturi rezervate cu privire la modificări și greșeli de imprimare.  
- Изменения, печати и верстки ошибки защищены.  
- Με επιφύλαξη αλλαγών, λαθών εκτύπωσης και στοιχειοθεσίας.